

Pearl

Concert and Marching Percussion

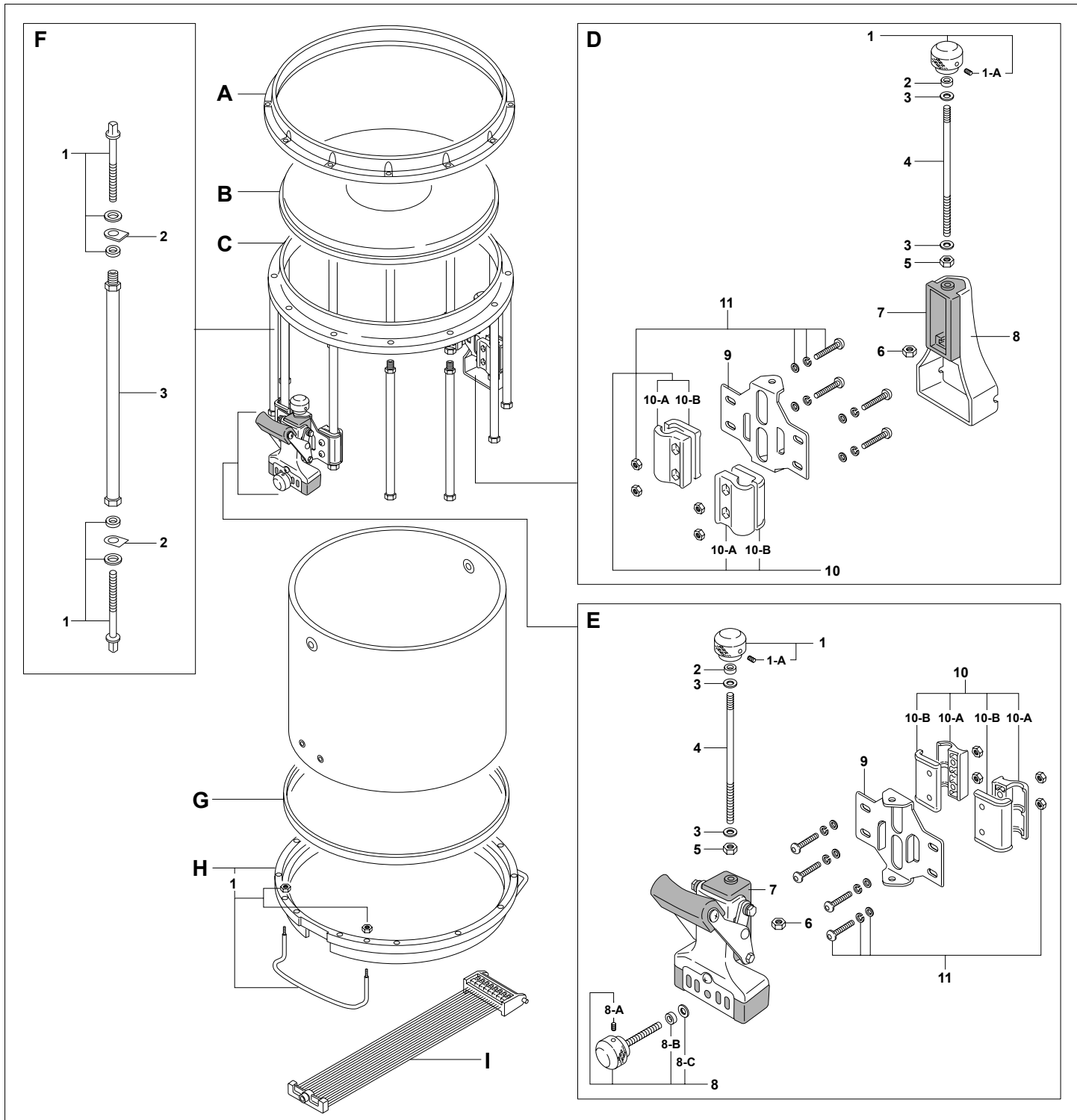
Spare Parts Catalog

CONTENTS

CHAMPIONSHIP SERIES (ARTICULITE SERIES)	
FFX / FFXS SNARE	1
MARCHING TOM / MARCHING BASS DRUM	2
COMPETITOR SERIES	
CMSX SNARE	3
CMS SNARE	4
CMT MARCHING TOM / CMT MARCHING BASS	5
PIPEBAND SERIES	
FFXP SNARE	6
PB / PDP BASS DRUM	7
PTD / TDP TENOR DRUM	8
MARCHING STAND	
MTS-2000 / MTS-1000	9
MBS-2000	10
CONCERT BASS DRUM	
CBS-80M / 80S	11
CONCERT BASS DRUM STAND	
CBS-38C / CBS-38A / CBS-15	12
CONCERT SNARE DRUM STAND	
S-700L / S-1000L / 1000LS	13
CONCERT CYMBAL STAND	
C-1000SC / C-1000AC	14
TOM STANDS	
T-800W	15
THRONES	
D-2000TC / D-1000TC	16
STRAINERS	
SR-500 / SR-017 / SR-300	17
SNARE WIRES	17
EDUCATIONAL KITS	
PK-750	18
PK-800 / 800C	19
SK-750	20
SK-800 / 800C	21
PL-800C	22

CHAMPIONSHIP SERIES (ARTICULITE SERIES)

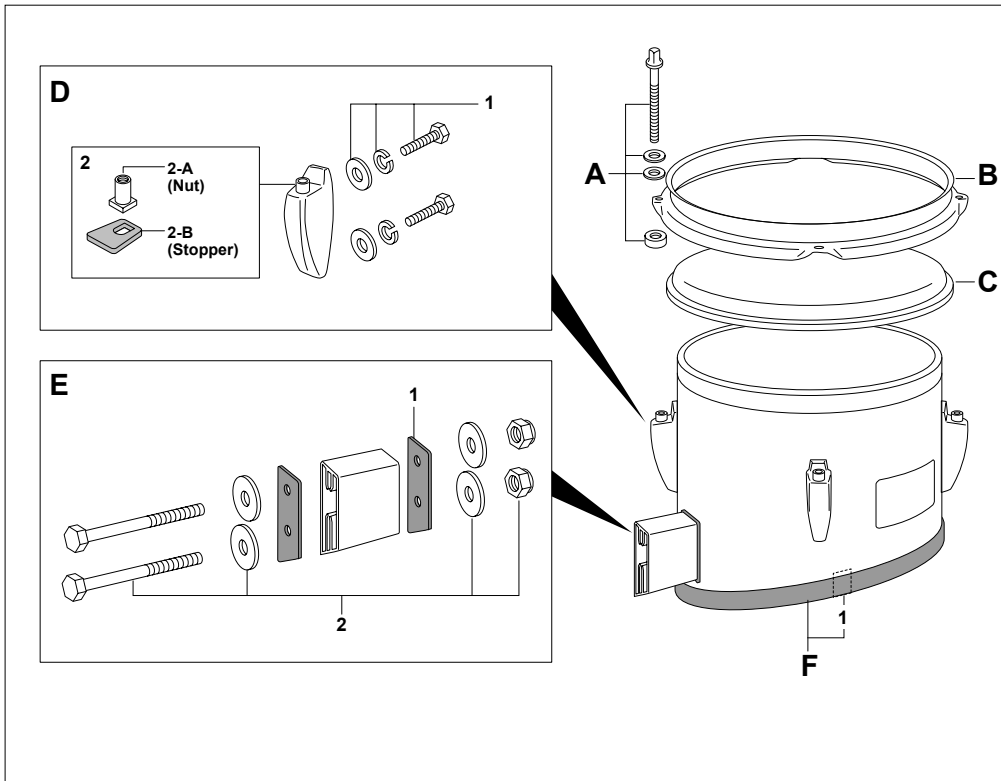
FFX / FFXS SNARE



- | | | |
|--|--|---|
| <p>A DA-14TN 14" Aluminum Die-Cast Hoop, Batter Side (FFX1412/A)
DA-13TN 13" Aluminum Die-Cast Hoop, Batter Side (FFX1311/A, FFXS1309/A)</p> <p>B CC-14 14" Drum Head, Clear w/Frosted Dot (FFX1412/A)
CC-13 13" Drum Head, Clear w/Frosted Dot (FFX1311/A, FFXS1309/A)</p> <p>C ER-14 Edge Ring (FFX1412/A)
ER-13 Edge Ring (FFX1311/A, FFXS1309/A)</p> <p>D S-115RA Butt-Side Assy. Complete
ME-468A Adjustment Knob Assy. w/Allen Screw
1-A SC-166 Allen Screw
2 NP-169 Plastic Washer
3 WS-27 Washer
4 ME-482 Adjustment Bolt
5 NU-4B Hexagonal Nut
6 NU-16B Hexagonal Nut
7 NP-255 Plastic Slider
8 DC-478 Snare Butt
9 PR-523 Mounting Bracket</p> | <p>10 DC-4756 Die-Cast Link Assy.
10-A DC-475 Die Cast Link, Inner
10-B DC-476 Die Cast Link, Outer
11 SC-296A Screw w/Washer, Lock Washer & Nut (one set)</p> <p>E S-115BA Release Side Assy. Complete
ME-468A Adjustment Knob Assy. w/Allen Screw
1-A SC-116 Allen Screw
2 NP-169 Plastic Washer
3 WS-27 Metal Washer
4 ME-482 Adjustment Bolt
5 NU-4B Hexagonal Nut
6 NU-16B Hexagonal Nut
7 NP-256 Plastic Slider
8 ME-468HA Tension Adjustment Bolt Assy. Complete
8-A SC-116 Allen Screw
8-B NP-169 Plastic Washer
8-C WS-27 Metal Washer
9 PR-523 Mounting Bracket
10 DC-4756 Die-Cast Link Assy.
10-A DC-475 Die Cast Link, Inner
10-B DC-476 Die Cast Link, Outer
11 SC-296A Screw w/Washer, Lock Washer & Nut (one set)</p> | <p>F TSP-102NA Tension Post Assy. Complete (FFX1412/A)
TSP-103NA Tension Post Assy. Complete (FFX1311/A)
TSP-1039A Tension Post Assy. Complete (FFXS1309/A)</p> <p>1 T-054 Tension Rod w/Washers
2 PR-514 "D" Washer
3 TSP-102N Tension Post ONLY (FFX1412/A)
TSP-103N Tension Post ONLY (FFX1311/A)
TSP-1039 Tension Post ONLY (FFXS1309/A)</p> <p>G ST-14 Snare Side Head (FFX1412/A)
ST-13 Snare Side Head (FFX1311/A, FFXS1309/A)</p> <p>H DA-14BN 14" Aluminum Die-Cast Hoop, Snare Side w/Guard, (FFX1412/A)
DA-13BN 13" Aluminum Die-Cast Hoop, Snare Side w/Guard, (FFX1311/A, FFXS1309/A)
ME-262NA Bottom Snare Guard Assy. w/Hexagonal Nut</p> <p>I GS-416A Synthetic Gut Snare Assy. (14")
GS-316A Synthetic Gut Snare Assy. (13")</p> |
|--|--|---|

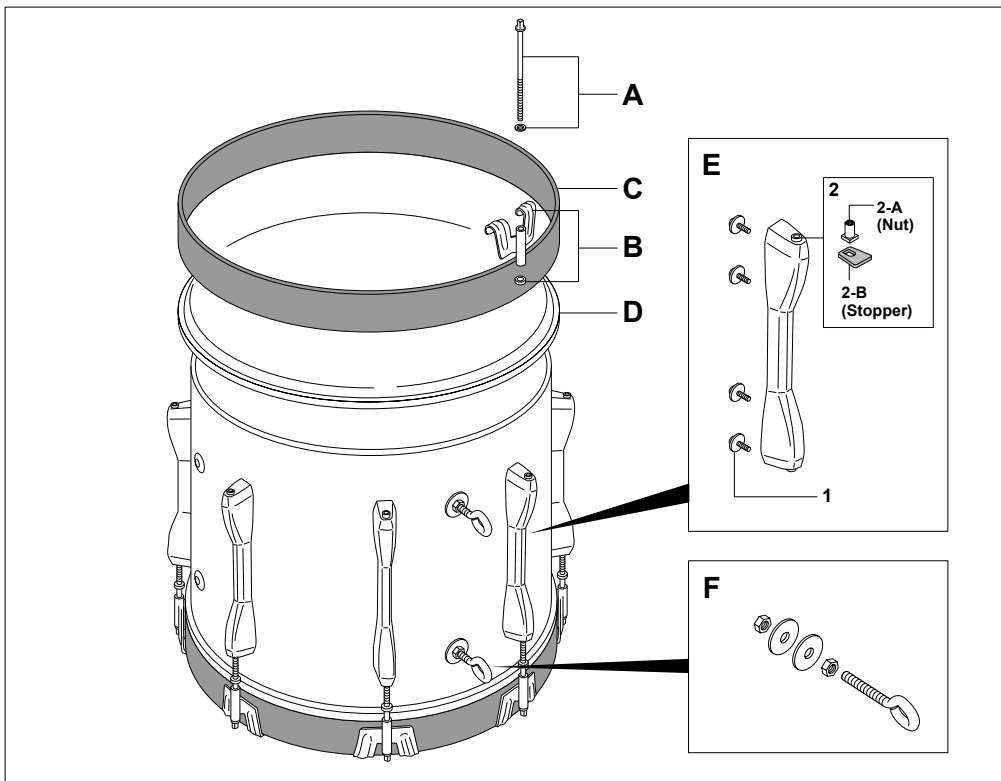
CHAMPIONSHIP SERIES (ARTICULITE SERIES)

MARCHING TOM



- A T-054 Tension Rod w/Washers
- B SH-0604 Hoop (6" Toms)
SH-0805 Hoop (8" Toms)
SH-1006 Hoop (10" Toms)
SH-1208 Hoop (12" Toms)
SH-1308 Hoop (13" Toms)
SH-1408 Hoop (14" Toms)
- C CT-6 Head (6" Toms)
CT-8 Head (8" Toms)
CT-10 Head (10" Toms)
CT-12 Head (12" Toms)
CT-13 Head (13" Toms)
CT-14 Head (14" Toms)
- D C-055AL Lug Complete
1 SC-196R Mounting Screw w/Washers (one set)
2 DC-5FNA Lug Nut & Stopper Assy.
2-A DC-5FN Lug Nut
2-B NP-81B Lug Stopper
- E TS-150 Tom Spacer Assy. Complete
1 GA-9 Gasket (one each)
2 SC-231A Bolt & Nut w/Washers (one set)
- F MTT-06 Marching Tom Trim ONLY (6")
MTT-08 Marching Tom Trim ONLY (8")
MTT-10 Marching Tom Trim ONLY (10")
MTT-12 Marching Tom Trim ONLY (12")
MTT-13 Marching Tom Trim ONLY (13")
MTT-14 Marching Tom Trim ONLY (14")
1 NP-246 Trim Ruber Cap

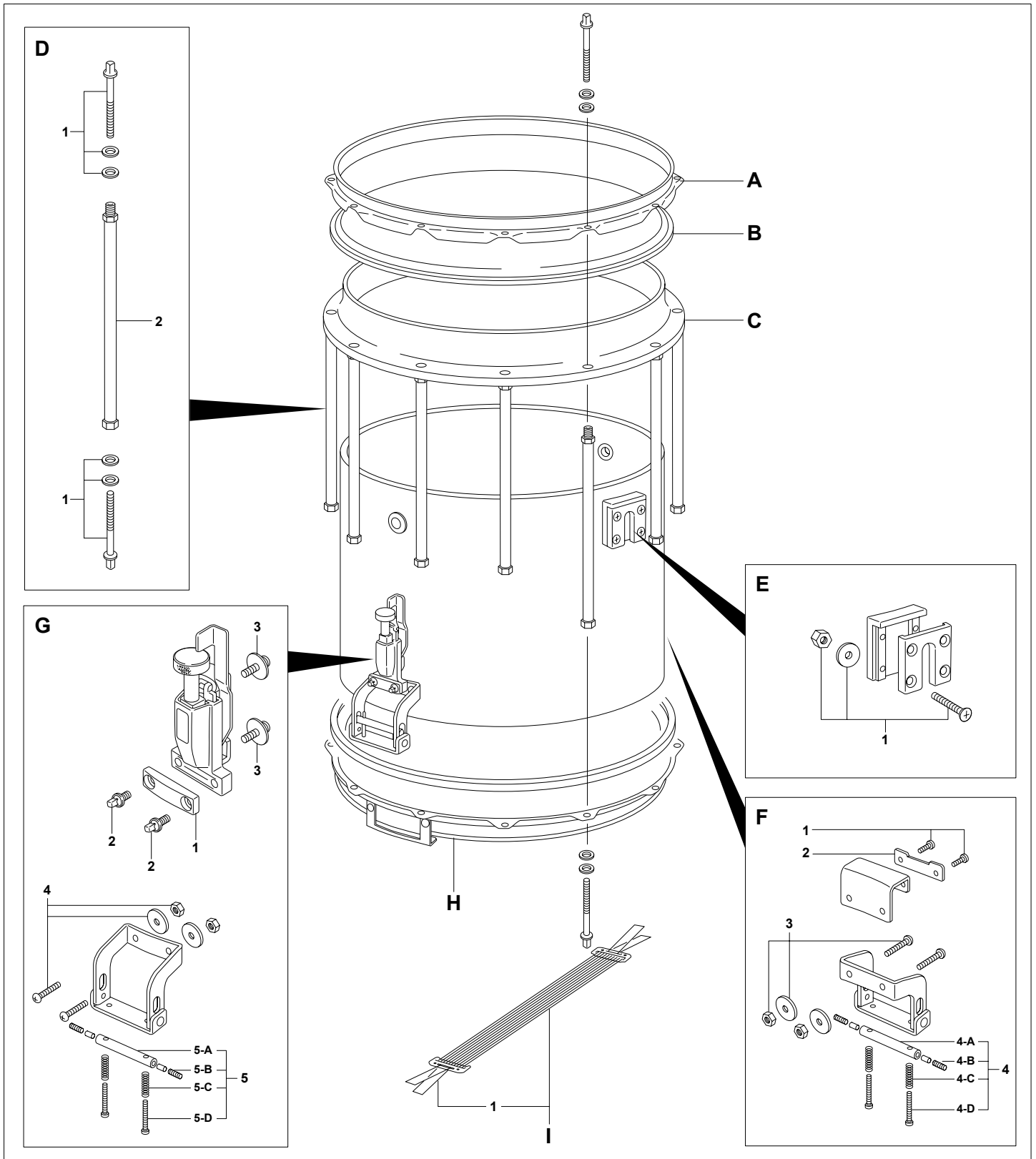
MARCHING BASS DRUM



- A T-066 Tension Rod w/Washers (one set for 16"- 28" Bass Drum)
- T-067 Tension Rod w/Washers (one set for 30" & 32" Bass Drum)
- B D-042A Stamped Steel Claw w/Plastic Washer
- C RIM-14PB Bass Drum Hoop (14" Bass Drum)
RIM-16PB Bass Drum Hoop (16" Bass Drum)
RIM-18PB Bass Drum Hoop (18" Bass Drum)
RIM-20PB Bass Drum Hoop (20" Bass Drum)
RIM-22PB Bass Drum Hoop (22" Bass Drum)
RIM-24PB Bass Drum Hoop (24" Bass Drum)
RIM-26PB Bass Drum Hoop (26" Bass Drum)
RIM-28PB Bass Drum Hoop (28" Bass Drum)
RIM-30PB Bass Drum Hoop (30" Bass Drum)
RIM-32PB Bass Drum Hoop (32" Bass Drum)
- D BR-1214PL Head (14" Bass Drum)
BR-1216PL Head (16" Bass Drum)
BR-1218PL Head (18" Bass Drum)
BR-1220PL Head (20" Bass Drum)
BR-1222PL Head (22" Bass Drum)
BR-1224PL Head (24" Bass Drum)
BR-1226PL Head (26" Bass Drum)
BR-1228PL Head (28" Bass Drum)
BR-1230PL Head (30" Bass Drum)
BR-1232PL Head (32" Bass Drum)
- E C-072AL Aluminum Die-Cast Lug Complete
1 SC-209R Mounting Screw and Washer (one set)
2 DC-5FNA Lug Nut & Stopper Assy. (one set)
2-A DC-5FN Lug Nut
2-B NP-225 Lug Stopper
- F EB-1 Eye Bolt Assy. Complete

COMPETITOR SERIES

CMSX SNARE



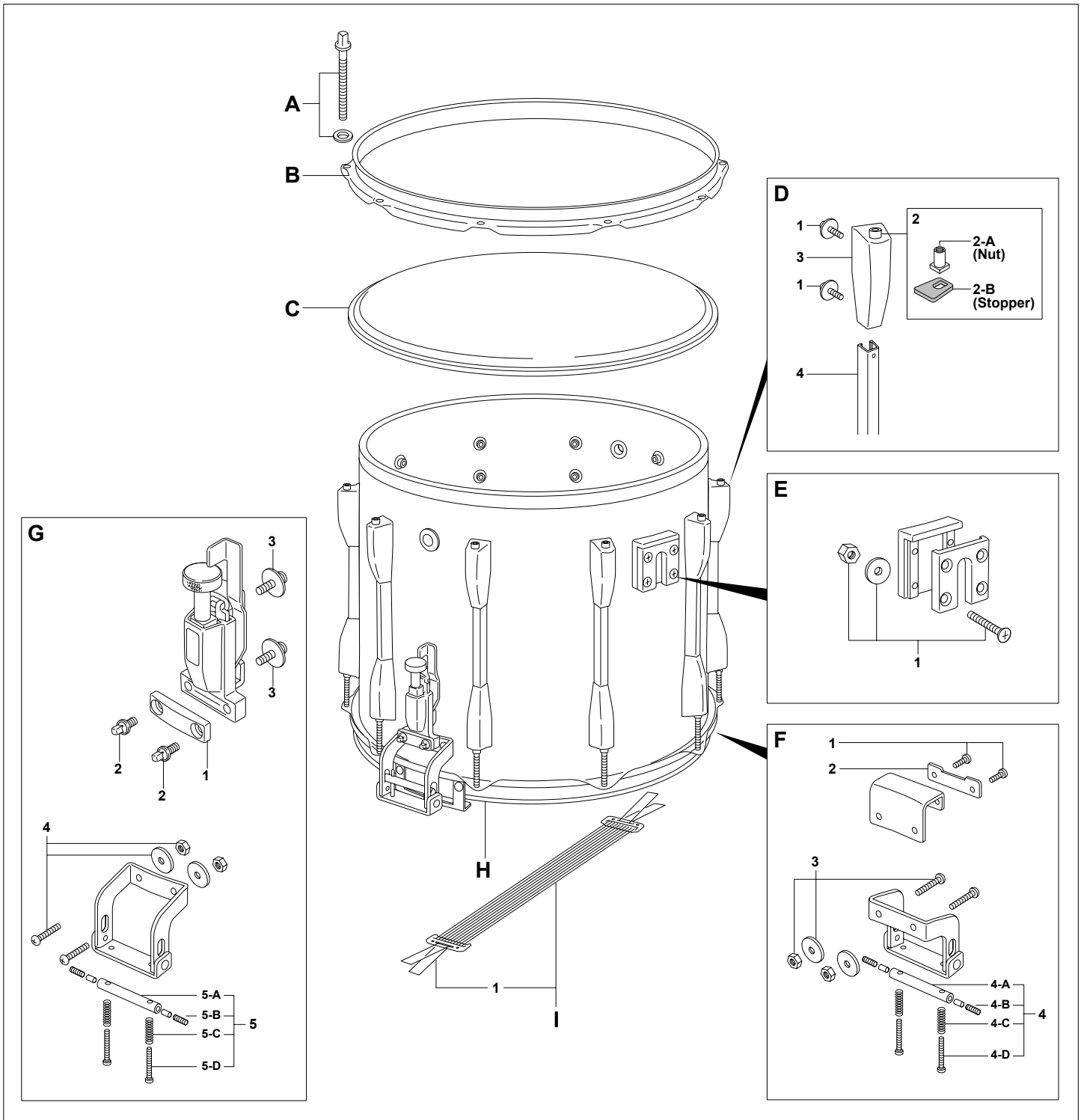
- A** SH-1412 14" Superhoop II (CMSX1412/C)
- SH-1310 13" Superhoop II (CMSX1311/C)
- B** CC-14 14" Drum Head, Clear w/Frosted Dot (CMSX1412/C)
- CC-13 13" Drum Head, Clear w/Frosted Dot (CMSX1311/C)
- C** ER-14 Edge Ring (CMSX1412/C)
- ER-13 Edge Ring (CMSX1311/C)
- D** TSP-102NA Tension Post Assy. Complete (CMSX1412/C)
- TSP-103NA Tension Post Assy. Complete (CMSX1311/C)
- 1 T-054 Tension Rod w/Washers
- 2 TSP-102N Tension Post ONLY (CMSX1412/C)
- TSP-103N Tension Post ONLY (CMSX1311/C)
- E** CT-1216 Clip Bracket Assy. Complete
- 1 SC-79A Mounting Screw w/Nut & Washer (one set)

- F** S-14MBA Butt Side Assy. Complete
- 1 SC-78 Screw (one each)
- 2 PR-185 Bridge Assy. Mounting Plate
- 3 SC-184A Bolt w/Washer (one set)
- 4 ME-237A Snare Bar Assy. Complete
- 4-A ME-237 Snare Bar ONLY
- 4-B SC-116 Allen Screw (one each)
- 4-C SP-21C Spring (one each)
- 4-D SC-186 Screw (one each)
- G** S-14MRA Throwoff Assy. Complete
- 1 DC-384 Bridge Assy. Mounting Plate
- 2 KB-510 Key Bolt (one each)
- 3 SC-52A Screw w/Washer (one set)
- 4 SC-157A Screw, Washer & Nut (one set)

- 5 ME-237A Snare Bar Assy. Complete
- 5-A ME-237 Snare Bar ONLY
- 5-B SC-116 Allen Screw (one each)
- 5-C SP-21C Spring (one each)
- 5-D SC-186 Screw (one each)
- H** SH-1412SG 14" Superhoop II W/Snare Guard (CMSX1412/C)
- SH-1310SG 13" Superhoop II W/Snare Guard (CMSX1311/C)
- I** GS-142 Nylon Gut Snare (CMSX1412/C)
- GS-132 Nylon Gut Snare (CMSX1311/C)

COMPETITOR SERIES

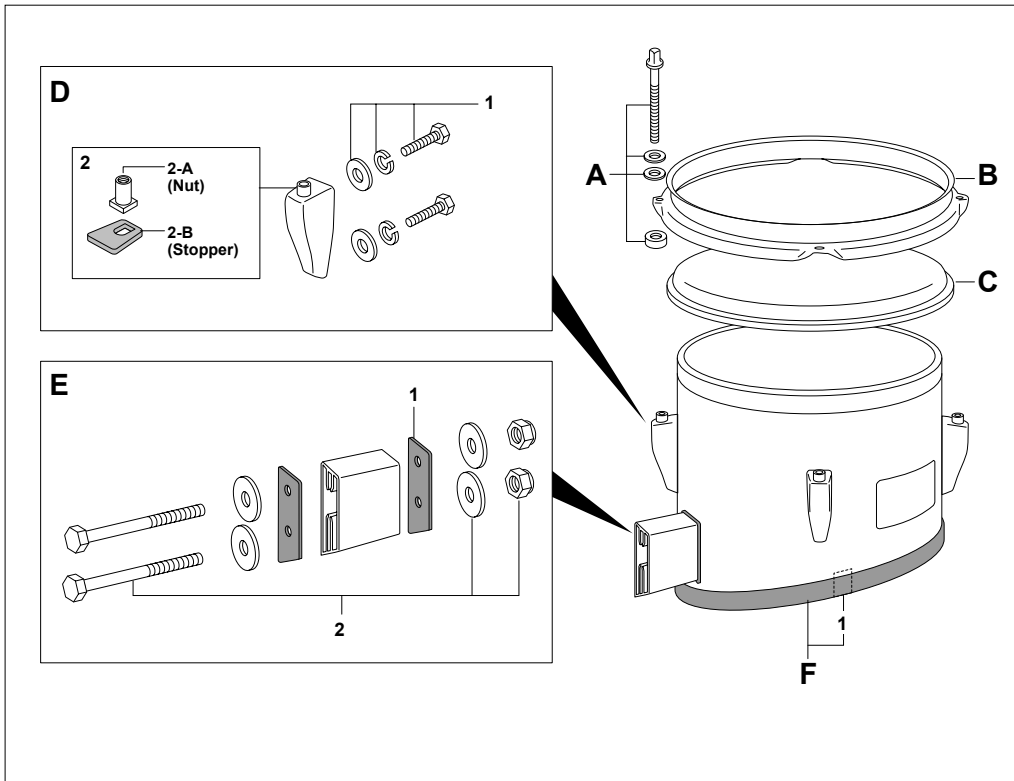
CMS SNARE



A	T-066	Tension Rod w/Washer	E	CT-1216	Clip Bracket Assy. Complete	G	S-14MRA	Throwoff Assy. Complete
B	RIM-1410	14" Steel Hoop (CMS1412/C)	1	SC-79A	Mounting Screw, Washer & Nut (one set)	1	DC-384	Bridge Assy. Mounting Plate
	RIM-1308	13" Steel Hoop (CMS1311/C)				2	KB-510	Key Bolt (one each)
C	CC-14 14"	Drum Head, Clear w/Frosted Dot (CMS1412/C)	F	S-14MBA	Butt Side Assy. Complete	3	SC-52A	Screw w/Washer (one set)
	CC-13 14"	Drum Head, Clear w/Frosted Dot (CMS1311/C)	1	SC-78	Screw (one each)	4	SC-157A	Screw, Washer & Nut (one set)
D	HLN-12S	3-pc Tension Lug Complete (CMS1412/C)	2	PR-185	Bridge Assy. Mounting Plate	5	ME-237A	Snare Bar Assy. Complete
	HLN-11S	3-pc Tension Lug Complete (CMS1311/C)	3	SC-184A	Screw, Washer & Nut (one set)	5-A	ME-237	Snare Bar ONLY
1	SC-187	Screw w/Washer (one set)	4	ME-237A	Snare Bar Assy. Complete	5-B	SC-116	Allen Screw (one each)
2	DC-6FEA	Lug Nut & Stopper Assy. (one set)	4-A	ME-237	Snare Bar ONLY	5-C	SP-21C	Spring (one each)
2-A	DC-6FE	Lug Nut	4-B	SC-116	Allen Screw (one each)	5-D	SC-186	Screw (one each)
2-B	NP-81B	Lug Stopper	4-C	SP-21C	Spring (one each)			
3	DC-675	Lug ONLY	4-D	SC-186	Screw (one each)			
4	PR-234B	Lug Joint ONLY (CMS1412/C)				H	RIM-1410SG	14" Steel Hoop w/Snare Guard (CMS1412/C)
	PR-459B	Lug Joint ONLY (CMS1311/C)					RIM-1308SG	13" Steel Hoop w/Snare Guard (CMS1311/C)
						I	GS-142	Nylon Gut Snare (CMS1412/C)
							GS-132	Nylon Gut Snare (CMS1311/C)

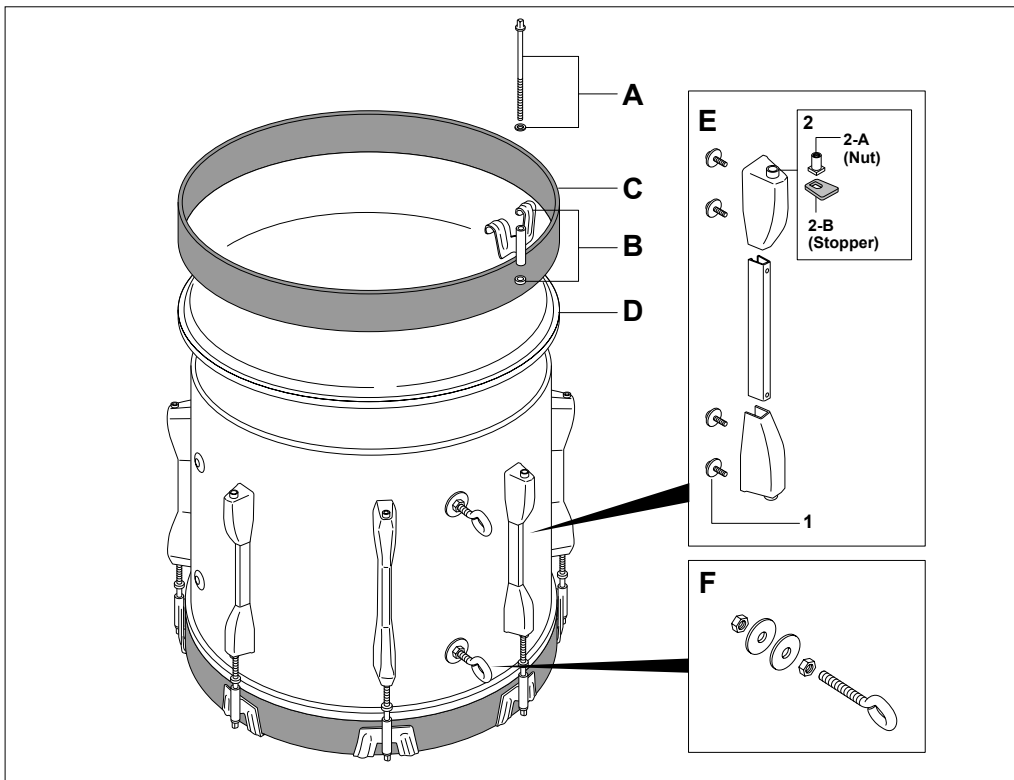
COMPETITOR SERIES

CMT MARCHING TOM



- A T-056 Tension Rod w/Washers
- B SH-0604 Hoop (6" Toms)
RIM-0804 Hoop (8" Toms)
RIM-1006 Hoop (10" Toms)
RIM-1206 Hoop (12" Toms)
RIM-1306 Hoop (13" Toms)
RIM-1408 Hoop (14" Toms)
- C CT-6 Head (6" Toms)
CT-8 Head (8" Toms)
CT-10 Head (10" Toms)
CT-12 Head (12" Toms)
CT-13 Head (13" Toms)
CT-14 Head (14" Toms)
- D SLN-10T Lug Complete
1 SC-187 Mounting Screw w/Washer (one set)
2 DC-6FEA Lug Nut & Stopper Assy.
2-A DC-6FE Lug Nut
2-B NP-81B Lug Stopper
- E TS-150 Tom Spacer Assy. Complete
1 GA-9 Gasket (one each)
2 SC-231A Bolt & Nut w/Washers (one set)
- F MTT-06 Marching Tom Trim ONLY (6")
MTT-08 Marching Tom Trim ONLY (8")
MTT-10 Marching Tom Trim ONLY (10")
MTT-12 Marching Tom Trim ONLY (12")
MTT-13 Marching Tom Trim ONLY (13")
MTT-14 Marching Tom Trim ONLY (14")
1 NP-246 Trim Rubber Cap

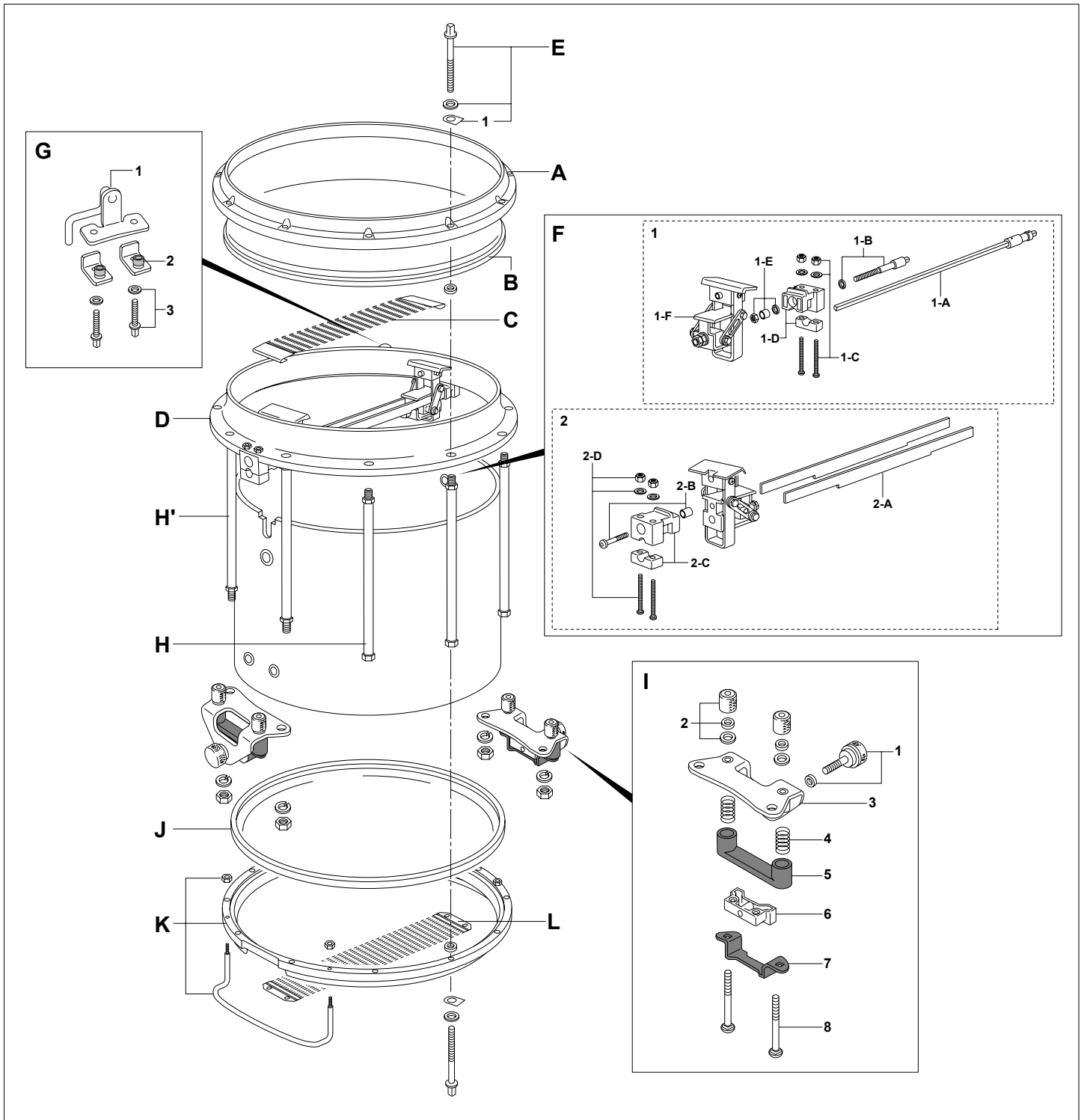
CMT MARCHING BASS



- A T-066 Tension Rod w/Washer
- B D-042 Stamped Steel Claw w/Plastic Washer
- C RIM-14CB Bass Drum Hoop (14" Bass Drum)
RIM-16CB Bass Drum Hoop (16" Bass Drum)
RIM-18CB Bass Drum Hoop (18" Bass Drum)
RIM-20CB Bass Drum Hoop (20" Bass Drum)
RIM-22CB Bass Drum Hoop (22" Bass Drum)
RIM-24CB Bass Drum Hoop (24" Bass Drum)
RIM-26CB Bass Drum Hoop (26" Bass Drum)
RIM-28CB Bass Drum Hoop (28" Bass Drum)
RIM-30CB Bass Drum Hoop (30" Bass Drum)
RIM-32CB Bass Drum Hoop (32" Bass Drum)
- D SW-14B Head (14" Bass Drum)
SW-16B Head (16" Bass Drum)
SW-18B Head (18" Bass Drum)
SW-20B Head (20" Bass Drum)
SW-22B Head (22" Bass Drum)
SW-24B Head (24" Bass Drum)
SW-26B Head (26" Bass Drum)
SW-28B Head (28" Bass Drum)
SW-30B Head (30" Bass Drum)
SW-32B Head (32" Bass Drum)
- E HLN-14B 3-pc Tension Lug Complete
1 SC-187 Mounting Screw w/Washer (one set)
2 DC-5FEA Lug Nut & Stopper Assy.
2-A DC-5FE Lug Nut
2-B NP-225 Lug Stopper
- F EB-1 Eye Bolt Assy. Complete

PIPEBAND SERIES

FFXP SNARE

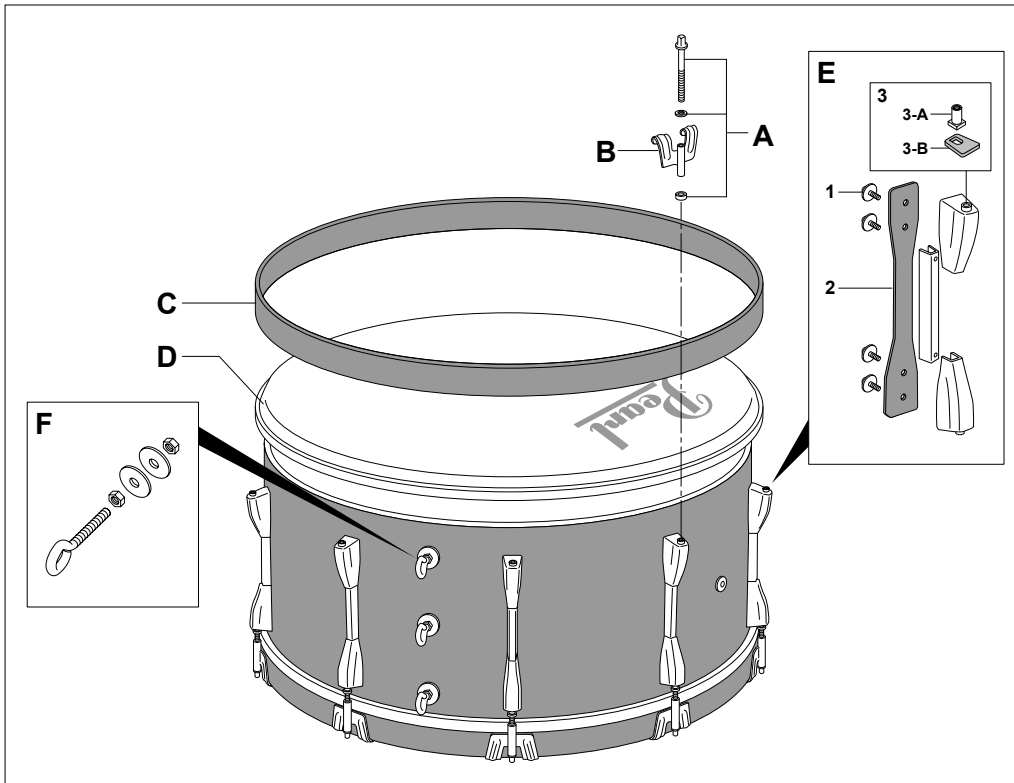


A	DA-14TN	14" Aluminum Die-Cast Hoop, Batter Side (FFX1412/A)
B	KS-0514-PL-ST	14" Remo Stratosphere Head
C	S-505TC	Top Snare Wires, 28 Strands
D	ER-14PB	Edge Ring (FFX1412/A)
E	T-054	Key Bolt w/Washers
1	PR-514	"D" Washer
F	SR-505T	Top Internal Snare Mechanism, Complete
1	SR-505TR	Right Side Assy, Complete
1-A	ME-470A	Height Adjustment Rod
1-B	ME-461A	Tension Adjustment Screw w/Plastic Washer
1-C	SC-290A	Screw, Washer & Nut (one set)
1-D	DC-468A	Edge Ring Connector
1-E	ME-662	Washer, Spacer & Nut (one set)
1-F	PR-582A	Snare Rail
2	SR-505TL	Left Side Assy, Complete
2-A	AL-20	Connecting Strut (one each)
2-B	SC-290A	Screw w/Spacer (one set)
2-C	DC-468A	Edge Ring Connector
2-D	SC-290A	Screw, Washer & Nut (one set)

G	CH-5S	Carry Hook, Complete
1	PR-504	Carry Hook ONLY
2	PR-505A	Bottom Clamp Assy (one set)
3	KB-630W	Key Bolt w/Washer (one set)
H	TSP-102	Tension Post
H'	TSP-102S	Tension Post for Strainer Position
I	SR-505B	Bottom Snare Platform Assy.
1	ME-468A	Adjustment Knob Assy. w/Washer
2	ME-469A	Knurled Nut & Washers (one set)
3	PR-506A	Platform
4	SP-62	Spring (one each)
5	NP-233	Plastic Bridge
6	DC-471A	Snare Anchor
7	PR-507	Snare Guard
8	SC-239	Screw (one each)
J	ST-14	Snare Side Head
K	DA-14BN	14" Aluminum Die-Cast Hoop, Snare Side w/Guard
L	S-505S	Bottom Snare Wires, 20 Strands

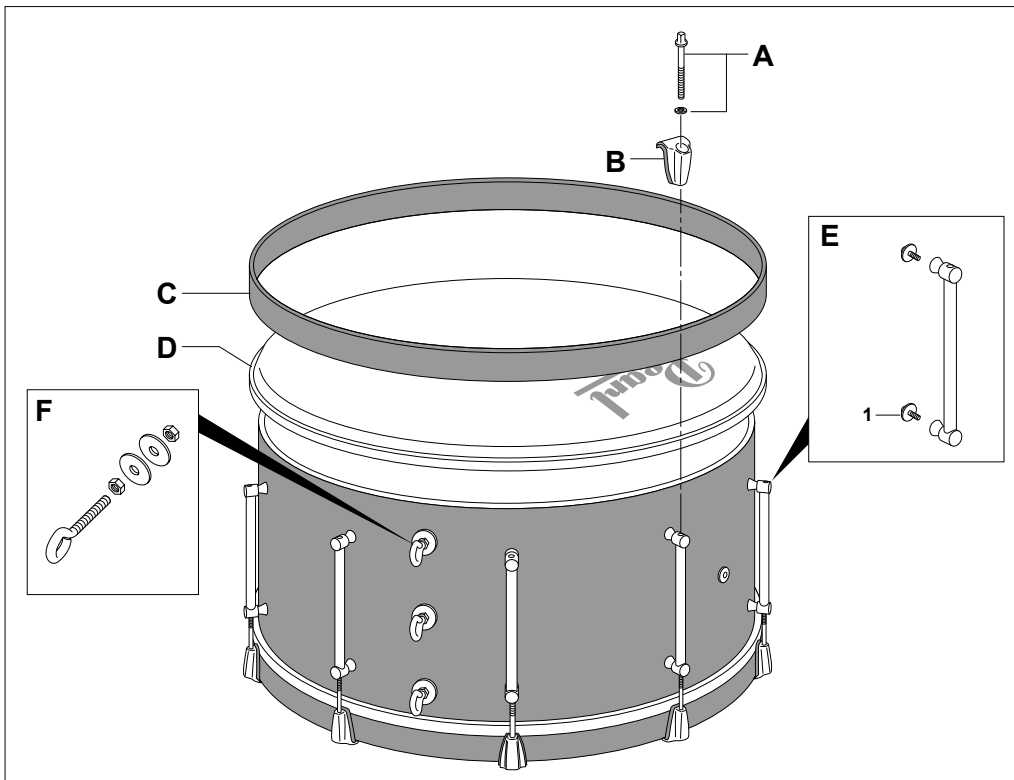
PIPEBAND SERIES

PB BASS DRUM



- A T-066 Tension Rod w/Washers
- B D-042 Stamped Steel Claw
- C RIM-26PB Bass Drum Hoop (26" Bass Drum)
- RIM-28PB Bass Drum Hoop (28" Bass Drum)
- RIM-30PB Bass Drum Hoop (30" Bass Drum)
- D BR-1226PL Head (26" Bass Drum)
- BR-1228PL Head (28" Bass Drum)
- BR-1230PL Head (30" Bass Drum)
- E HLN-12B 3-pc Tension Lug Complete, 12" Depth
- HLN-14B 3-pc Tension Lug Complete, 14" Depth
- HLN-16B 3-pc Tension Lug Complete, 16" Depth
- 1 SC-187 Mounting Screw w/Washer (one set)
- 2 GA-82 Gasket 12" Depth
- GA-84 Gasket 14" Depth
- GA-85 Gasket 16" Depth
- 3 DC-5FNA Lug Nut & Stopper Assy.
- 3-A DC-5FE Lug Nut
- 3-B NP-225 Lug Stopper
- F EB-1 Eye Bolt Assy. Complete

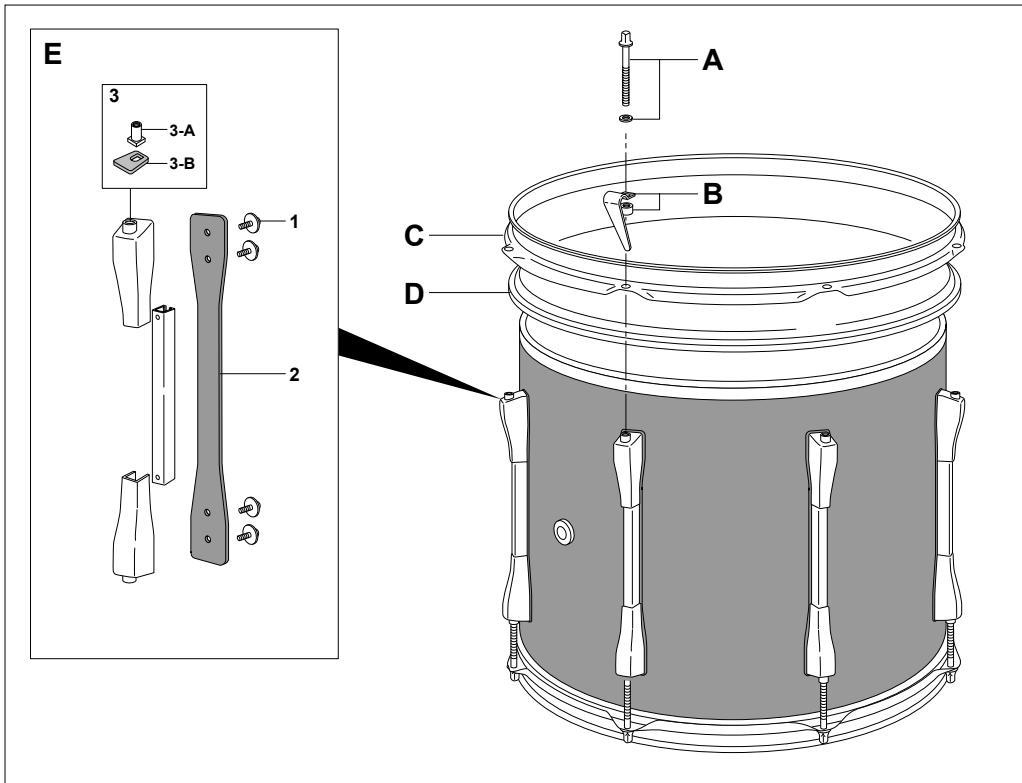
PDP BASS DRUM



- A T-054 Tension Rod w/Washer
- B D-042 Die-Cast Claw
- C RIM-26PB Bass Drum Hoop (26" Bass Drum)
- RIM-28PB Bass Drum Hoop (28" Bass Drum)
- RIM-30PB Bass Drum Hoop (30" Bass Drum)
- D BR-1226PL Head (26" Bass Drum)
- BR-1228PL Head (28" Bass Drum)
- BR-1230PL Head (30" Bass Drum)
- E TSP-12P Aluminium Slim Line Tube Lug, 12" & 14" Depth
- TSP-16P Aluminium Slim Line Tube Lug, 16" Depth
- 1 SM-411B Screw w/Washer (one each)
- F EB-1 Eye Bolt Assy. Complete

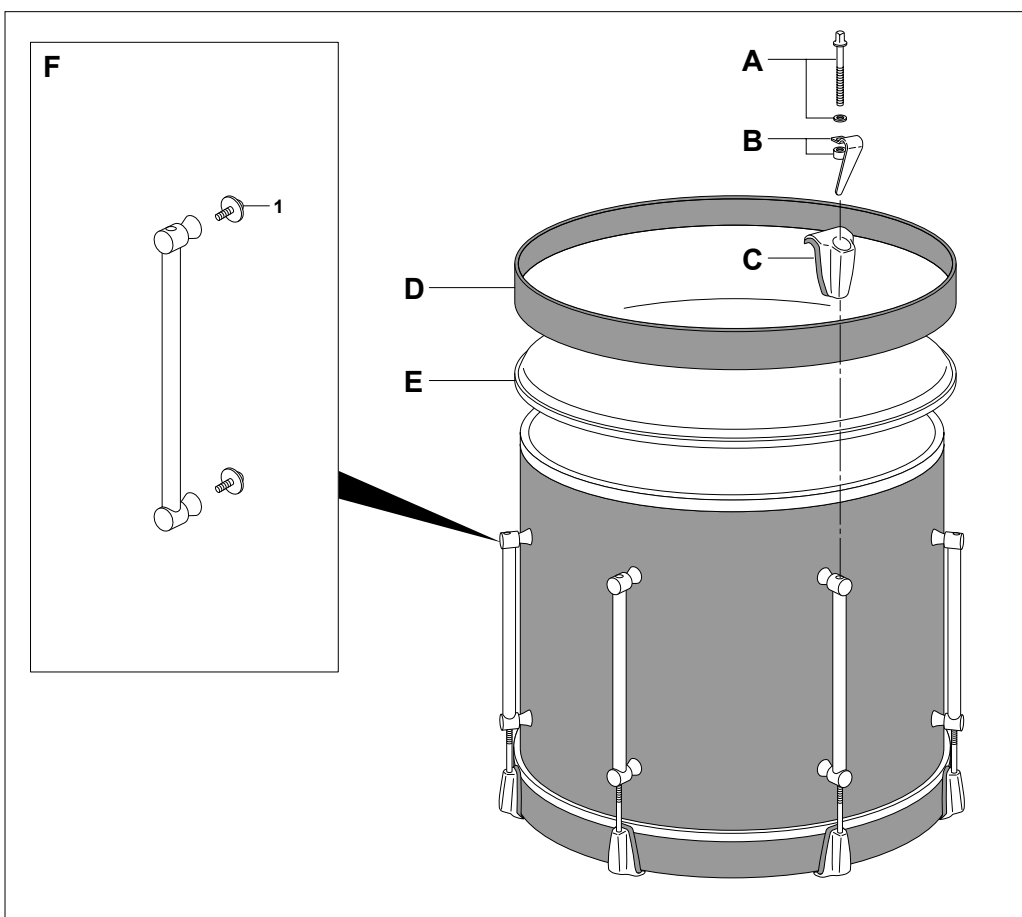
PIPEBAND SERIES

PTD TENOR DRUM



- A SC-185A Tension Rod w/Washer
- B PR-495A Sling Hook w/Collar
- C SH-1508 Hoop (15" Tenor Drum)
SH-1608 Hoop (16" Tenor Drum)
SH-1808 Hoop (18" Tenor Drum)
- D BA-0115-00 Head (15" Tenor Drum)
BA-0116-00 Head (16" Tenor Drum)
BA-0118-00 Head (18" Tenor Drum)
- E HL-312T 3-pc Tension Lug Complete
- 1 SC-145L Screw w/Washer (one set)
- 2 GA-82 Gasket
- 3 DC-6FEA Lug Nut & Stopper Assy.
- 3-A DC-6FE Lug Nut
- 3-B NP-81B Lug Stopper

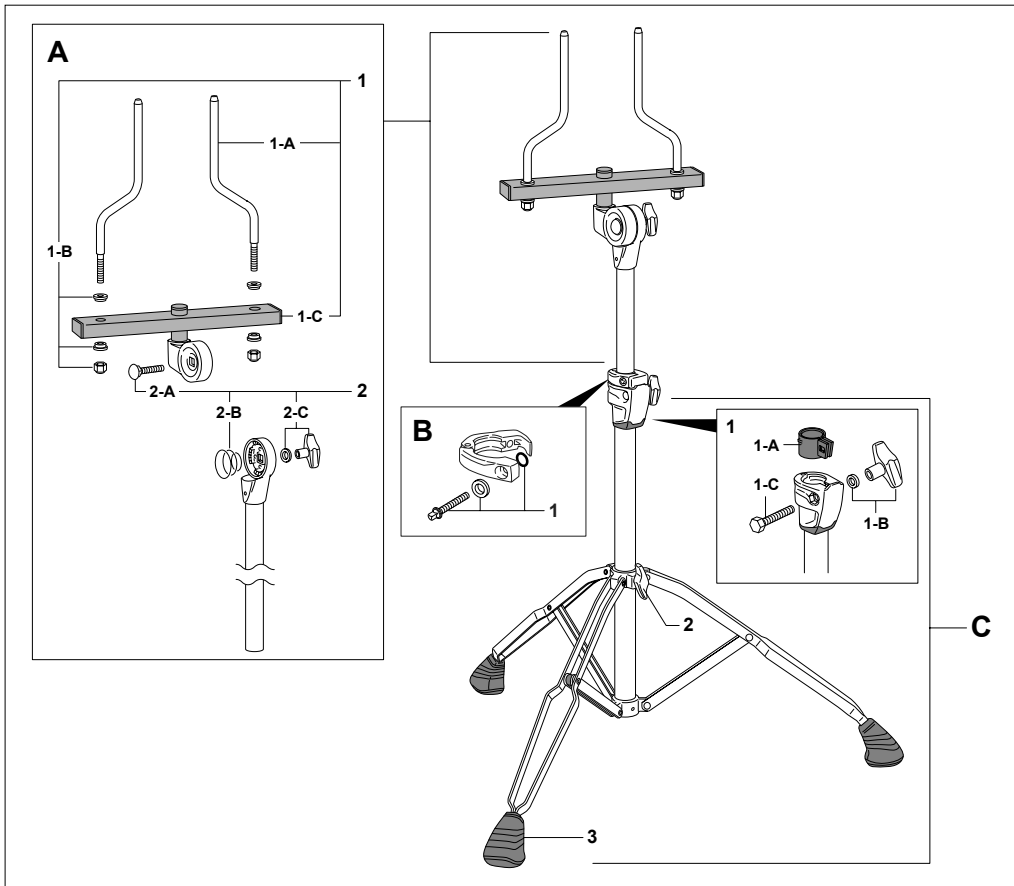
TDP TENOR DRUM



- A SC-275A Tension Rod w/Washer
- B PR-495A Sling Hook w/Collar
- C D-054 Die-Cast Claw
- D RIM-14TDP Hoop (14" Tenor Drum)
RIM-15TDP Hoop (15" Tenor Drum)
RIM-16TDP Hoop (16" Tenor Drum)
RIM-18TDP Hoop (18" Tenor Drum)
- E BA-0114-00 Head (14" Tenor Drum)
BA-0115-00 Head (15" Tenor Drum)
BA-0116-00 Head (16" Tenor Drum)
BA-0118-00 Head (18" Tenor Drum)
- F TSP-12P Aluminium Slim Line Tube Lug,
12" & 14" Depth
- 1 SM-411B Screw w/Washer (one each)

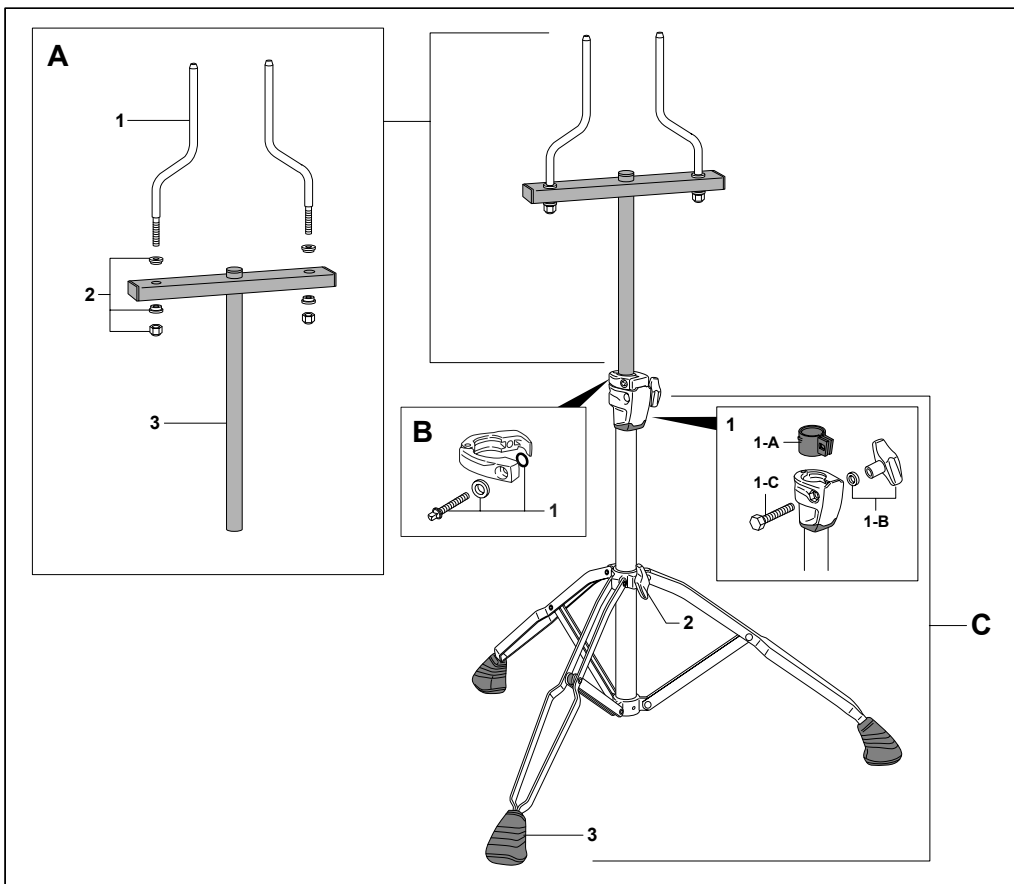
MARCHING STAND

MTS-2000



- A MT-200A Tilting Upper Joint Assy. Complete**
 1 PP-202A Mounting Post Assy. Complete
 1-A ME-431 Mounting Post (one each)
 1-B ME-430A Upper & Lower Washers w/Nut (one set)
 1-C PP-202 Post Mounting Plate Assy.
 2 SN-85A Bolt & Nut Set w/Spring
 2-A SC-36B Clamp Bolt
 2-B SP-27 Spring
 2-C UGN-8 Die-Cast Wing Nut w/Washer
- B DC-582A Stop Lock Complete**
 1 KB-625WO Key Bolt w/Washer&O-Ring
- C BA-100BW Base Assy. Complete**
 1 DJ-700 Die-Cast Joint Assy. Complete
 1-A NP-366 Nylon Bushing
 1-B UGN-6 Die-Cast Wing Nut w/Washer
 1-C SC-169 Clamp Bolt
 2 UGB-815 Die-Cast Wing Bolt
 3 R-22N Rubber Tip (one each)

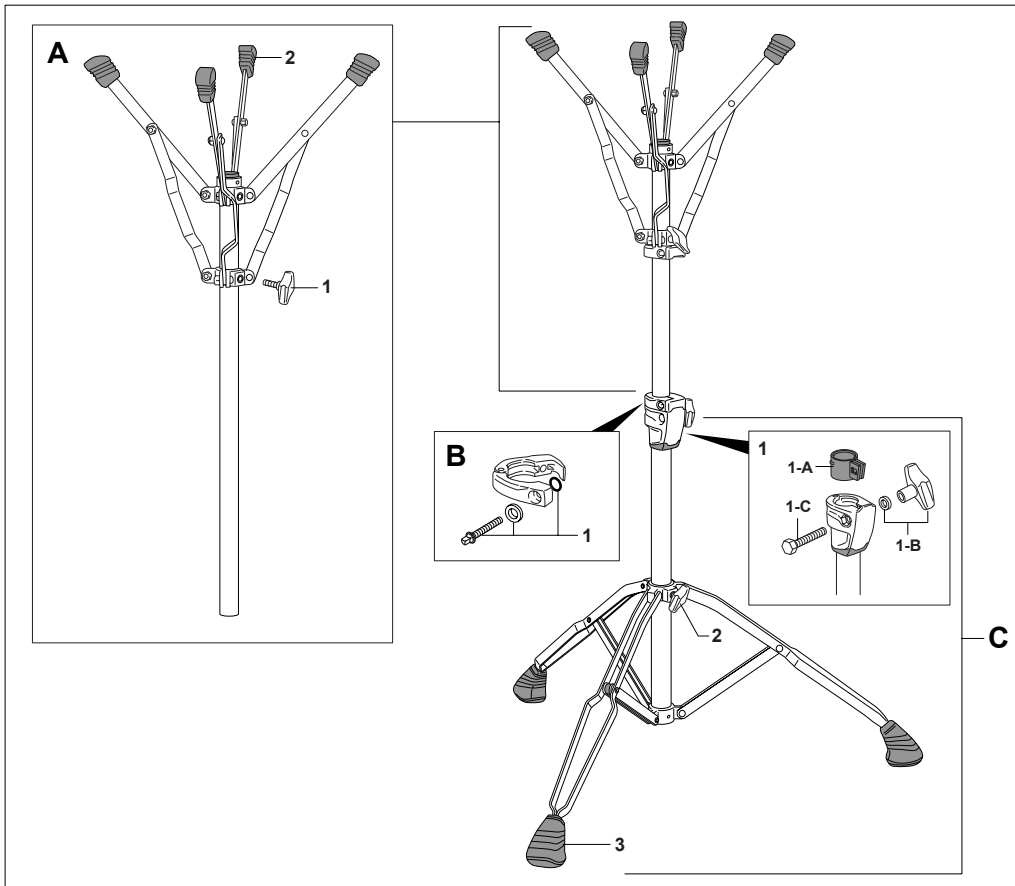
MTS-1000



- A MT-100A Upper Joint Assy. Complete**
 1 ME-431 Mounting Post (one each)
 2 ME-430A Upper & Lower Washers w/Nut (one set)
 3 PP-1734A Post Mounting Plate Assy. Complete
- B DC-582A Stop Lock Complete**
 1 KB-625WO Key Bolt w/Washer & O-Ring
- C BA-100BW Base Assy. Complete**
 1 DJ-700 Die-Cast Joint Assy. Complete
 1-A NP-366 Nylon Bushing
 1-B UGN-6 Die-Cast Wing Nut w/Washer
 1-C SC-169 Clamp Bolt
 2 UGB-815 Die-Cast Wing Bolt
 3 R-22N Rubber Tip (one each)

MARCHING STAND

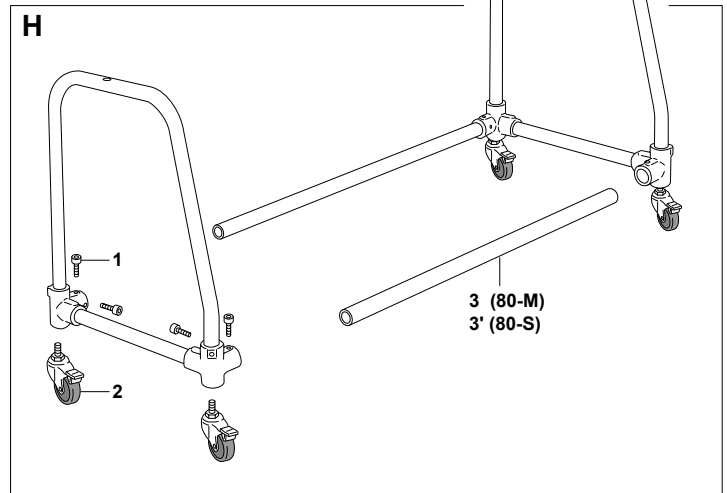
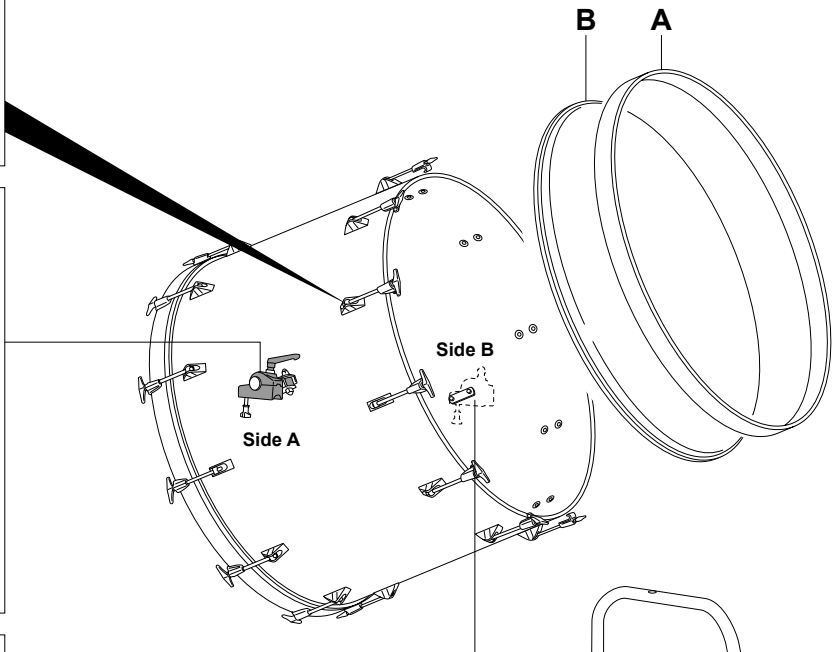
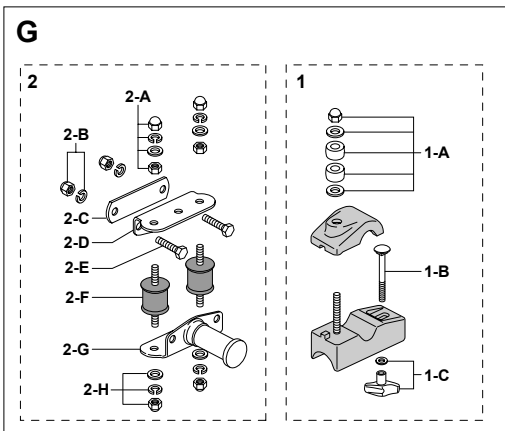
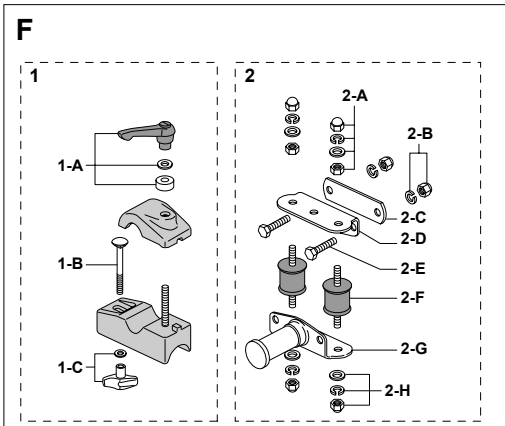
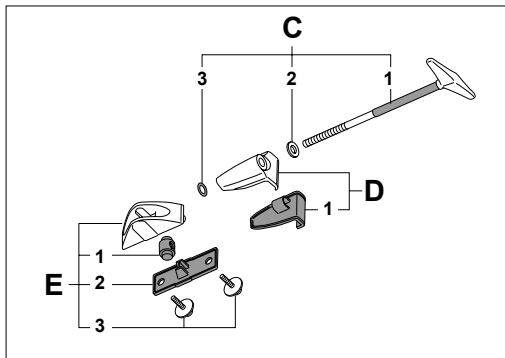
MBS-2000



- | | | |
|----------|-----------------|--------------------------------|
| A | MB-200A | Basket Section Complete |
| 1 | UGB-815 | Die-Cast Wing Bolt |
| 2 | R-10 | Rubber Tip (one each) |
| B | DC-582A | Stop Lock Complete |
| 1 | KB-625VO | Key Bolt w/Washer & O-Ring |
| C | BA-100BW | Base Assy. Complete |
| 1 | DJ-700 | Die-Cast Joint Assy. Complete |
| 1-A | NP-366 | Nylon Bushing |
| 1-B | UGN-6 | Die-Cast Wing Nut w/Washer |
| 1-C | SC-169 | Clamp Bolt |
| 2 | UGB-815 | Die-Cast Wing Bolt |
| 3 | R-22N | Rubber Tip (one each) |

CONCERT BASS DRUM

CBS-80M / 80S



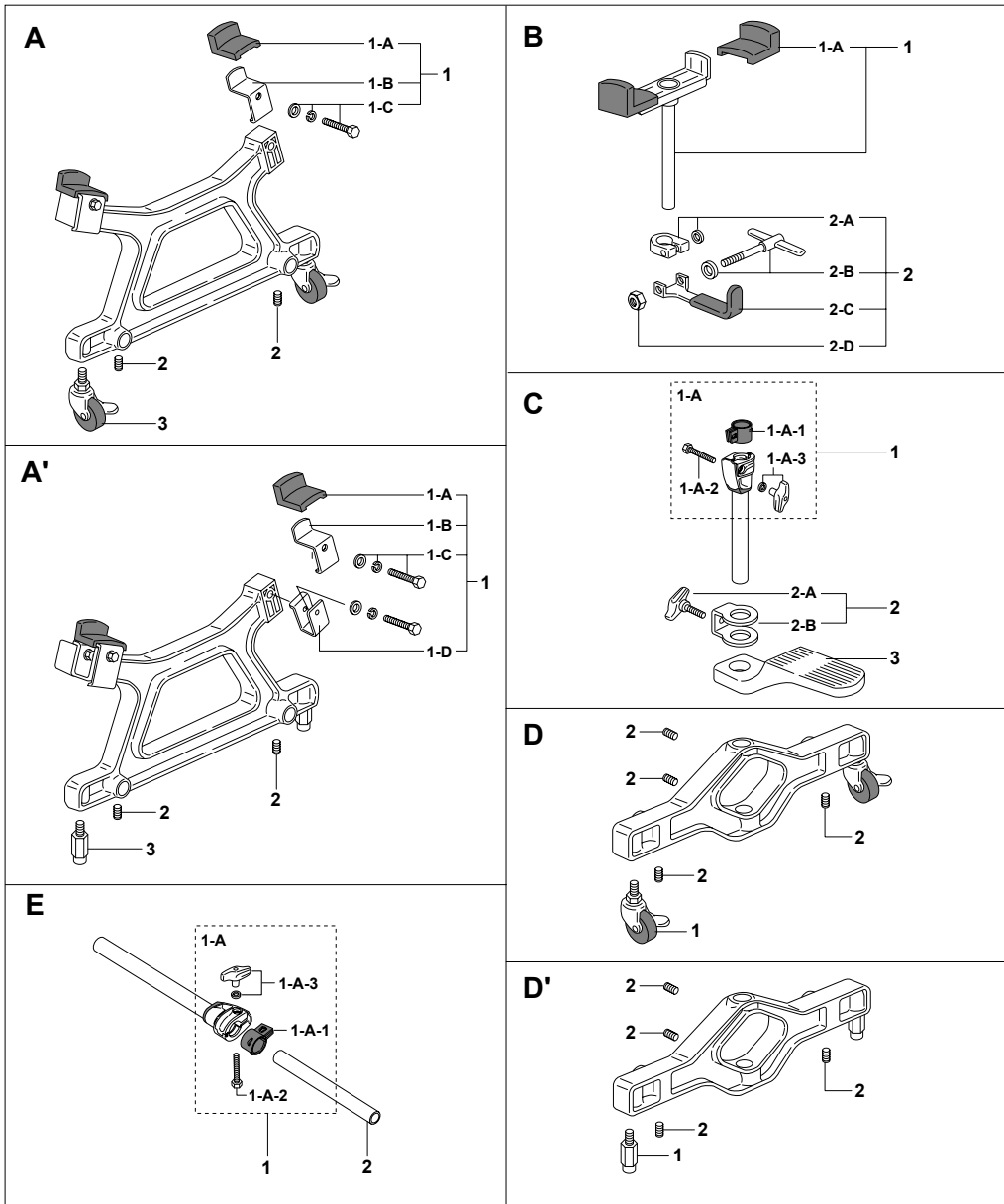
- A RIM-28PB Bass Drum Hoop (28" Bass Drum)**
 RIM-32PB Bass Drum Hoop (32" Bass Drum)
 RIM-36PB Bass Drum Hoop (36" Bass Drum)
- B N3-3028-PL NuSkyn Bass Drum HEADS (28" Bass Drum)**
 N3-3032-PL NuSkyn Bass Drum HEADS (32" Bass Drum)
 N3-3036-PL NuSkyn Bass Drum HEADS (36" Bass Drum)
- C T-8145A Handle Bolt w/Washer, O-Ring & Shrink Tubing**
 1 NP-319 Heat Shrink Tubing
 2 NP-299 Plastic Washer
 3 NP-288 O-Ring
- D D-0508A Die Cast Claw w/Rubber Gasket**
 1 NP-336P Rubber Gasket
- E BL-100A Concert Bass Drum Lug w/Rubber Gasket, Complete**
 1 ME-458P Lug Nut
 2 NP-337P Gasket
 3 SC-187R Screw w/Washer (one set)

- F CBS-80AS Drum Mounting Assy. Complete, Side A**
 1 CBS-80A Stand Bracket ONLY
 1-A SC-338A Bracket Handle Assy.
 1-B SC-160 Bolt
 1-C UGN-8 Wing Nut & Washer
 2 CBS-80S Suspension Bracket Assy. Complete
 2-A CBS-NU6D Nut Assy. (one set)
 2-B CBS-NU6E Nut Assy. (one set)
 2-C PR-577 Steel Backing Plate
 2-D PR-576 Suspension Bracket Top Plate
 2-E SC-336 Bolt (one each)
 2-F NP-313 Suspension Rubber w/Bolt (one each)
 2-G PR-576N Suspension Bracket Bottom Plate and Post
 2-H CBS-NU6K Nut Assy. (one set)

- G CBS-80BS Drum Mounting Assy. Complete, Side B**
 1 CBS-80B Stand Bracket ONLY
 1-A CBS-NU6A Nut Assy. (one set)
 1-B SC-160 Bolt
 1-C DC-358W Die Cast Wing Nut w/Washer
 2 CBS-80S Suspension Bracket Assy. Complete
 2-A CBS-NU6D Nut Assy. (one set)
 2-B CBS-NU6E Nut Assy. (one set)
 2-C PR-577 Steel Backing Plate
 2-D PR-576 Suspension Bracket Top Plate
 2-E SC-336 Bolt (one each)
 2-F NP-313 Suspension Rubber w/Bolt (one each)
 2-G PR-576N Suspension Bracket Bottom Plate and Post
 2-H CBS-NU6K Nut Assy. (one set)
- H CBS-80CM Frame Assy. Complete**
 1 SC-334 Setting Bolt (one each)
 2 WL-3 Caster w/Stoper (one each)
 3 PP-186M Pipe (CBS-80M)
 3' PP-186S Pipe (CBS-80S)

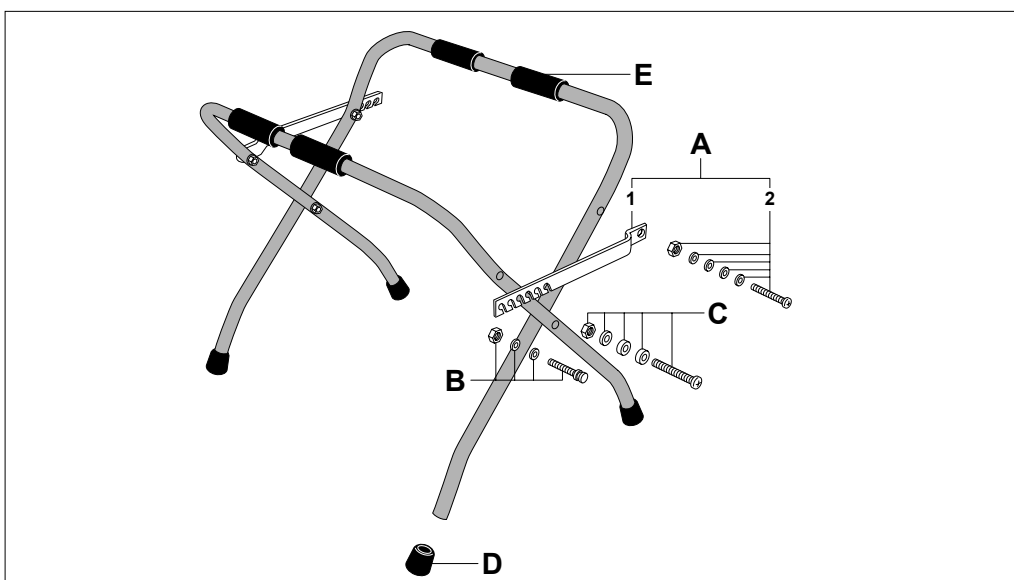
CONCERT BASS DRUM STAND

CBS-38C / CBS-38A



- A DC-302A Base Drum Receiver Assy. (CBS-38C)**
- 1 CBH-1A Bass Drum Holder Assy.
 - 1-A NP-166 Rubber Sleeve
 - 1-B PR-284 Holder Plate
 - 1-C SC-170A Bolt w/Washers (one set)
 - 2 SB-55 Allen Screw (one each)
 - 3 CBS-1C Caster (one each)
- A' DC-302AC Base Drum Receiver Assy. (CBS-38A)**
- 1 CBH-1A Bass Drum Holder Assy.
 - 1-A NP-166 Rubber Sleeve
 - 1-B PR-284 Holder Plate
 - 1-C SC-170A Bolt w/Washers (one set)
 - 1-D AL-25 U-Shaped Clamp
 - 2 SB-55 Allen Screw (one each)
 - 3 ME-509 Spike (one each)
- B CBU-1A Upper Tube Assy. Complete**
- 1 PR-285NBA Upper Tube Assy.
 - 1-A NP-166 Rubber Sleeve (one each)
 - 2 CBU-HK Hook Assy.
 - 2-A DC-495B Stop Lock Ring w/Spacer
 - 2-B ME-310A Handle Bolt w/Washer
 - 2-C PR-286A Hook
 - 2-D NU-16B Hexagonal Nut
- C CA-1 Lower Tube Assy. Complete**
- 1 JA-1 Tube Assy. Complete
 - 1-A DJ-700 Die-Cast Joint Assy. ONLY
 - 1-A-1 NP-366 Nylon Bushing
 - 1-A-2 SC-169 Clamp Bolt
 - 1-A-3 UGN-6 Die-Cast Wing Nut w/Washer
 - 2 PR-96NA Bracket Assy. for Foot Rest
 - 2-A UGB-820 Die-Cast Wing Bolt
 - 2-B PR-96T Bracket for Foot Rest
 - 3 SCB-3FB Foot Rest ONLY
- D DC-303A Base Assy. Complete (CBS-38C)**
- 1 CBS-1C Caster (one each)
 - 2 SB-55 Allen Screw (one each)
- D' DC-303AC Base Assy. Complete (CBS-38A)**
- 1 ME-509 Spike (one each)
 - 2 SB-55 Allen Screw (one each)
- E PA-1 Adjustment Tube Assy. Complete**
- 1 JA-1 Receiver Tube Complete
 - 1-A DJ-700 Die-Cast Joint Assy. ONLY
 - 1-A-1 NP-366 Nylon Bushing
 - 1-A-2 SC-169 Clamp Bolt
 - 1-A-3 UGN-6 Die-Cast Wing Nut w/Washer
 - 2 PP-68 Pipe ONLY

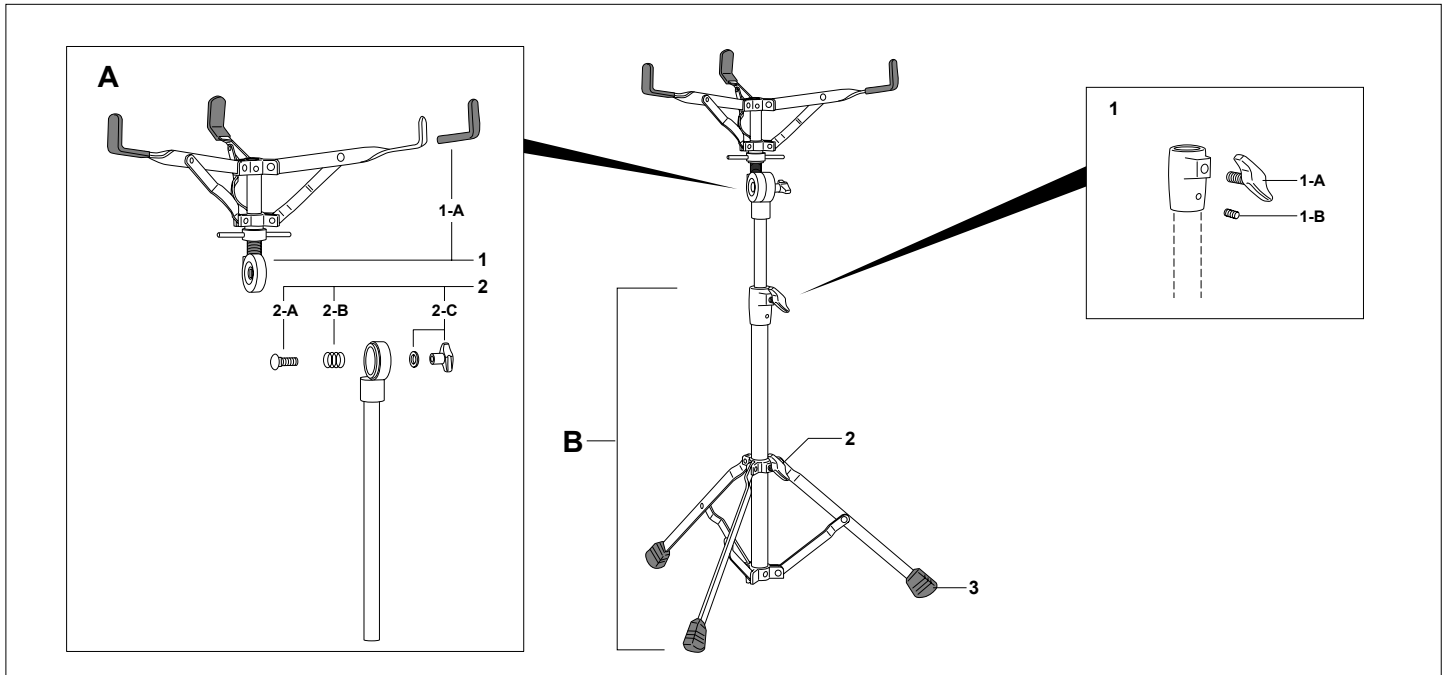
CBS-15



- A CBS-15AJA Adjustment Bar Complete**
- 1 CBS-15AJ Adjustment Bar ONLY
 - 2 CBS-15BW Bar Mounting Screw w/Washers & Nut
- B CBS-15FB Socket Screw Set**
- C CBS-15SB Connecting Screw Set**
- D NP-167A Rubber Tip (one each)**
- E NP-165 Rubber Sleeve (one each)**

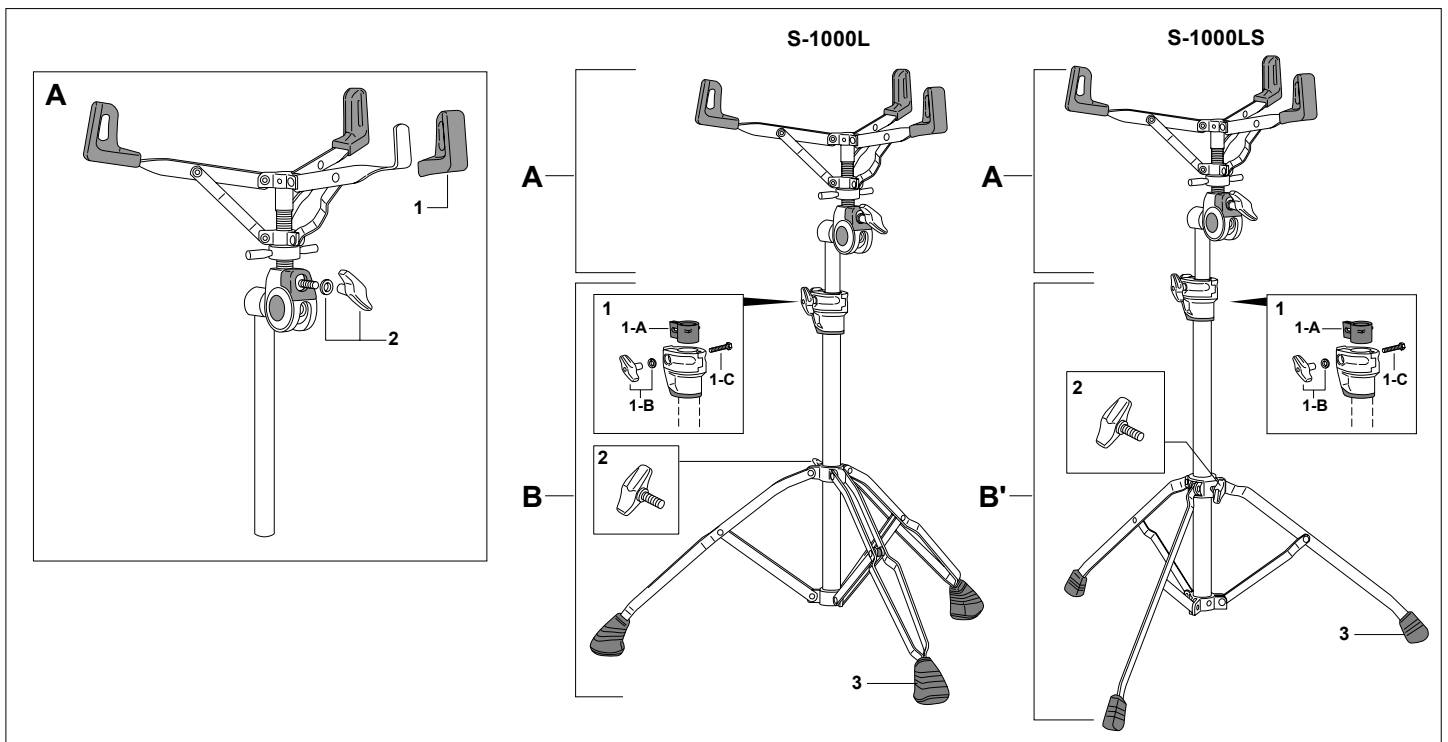
CONCERT SNARE DRUM STAND

S-700L



A	S-70A	Basket Complete	B	S-70BL	Base Assy. Complete
1	S-70AA	Basket Assy. w/Rubber Sleeves	1	DJ-55A	Die-Cast Joint Complete
1-A	S-75C	Rubber Sleeve (one each)	1-A	UGB-815	Die-Cast Wing Bolt
2	SN-70A	Bolt & Nut Set w/Spring	1-B	SB-44	Allen Screw
2-A	SC-33	Clamp Bolt	2	UGB-815	Die-Cast Wing Bolt
2-B	SP-17	Spring	3	NP-12	Rubber Tip (one each)
2-C	UGN-8	Die-Cast Wing Nut w/Washer			

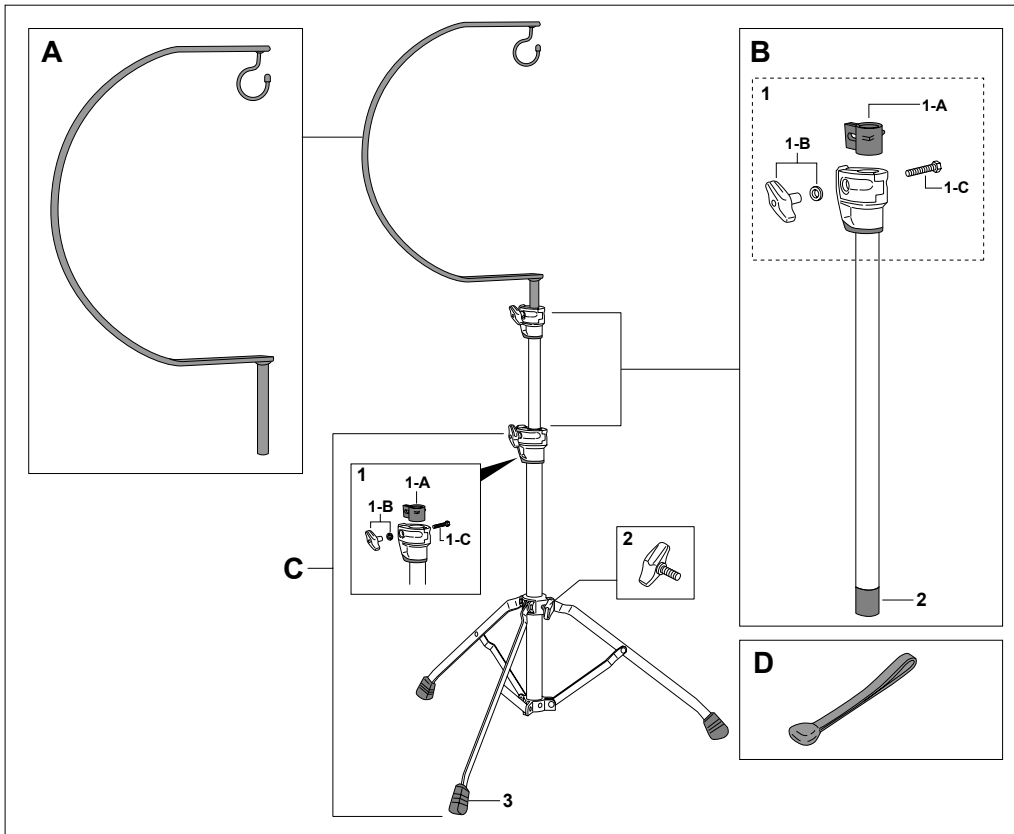
S-1000L / 1000LS



A	S-100A	Basket Complete	B	BA-100BW	Base Assy. Complete (S-1000L)	B'	BA-100BS	Base Assy. Complete (S-1000LS)
1	NP-358	Rubber Sleeve (one each)	1	DJ-700	Die-Cast Joint Assy. Complete	1	DJ-700	Die-Cast Joint Assy. Complete
2	UGN-8L	Die-Cast Wing Nut w/Washer	1-A	NP-366	Nylon Bushing	1-A	NP-366	Nylon Bushing
			1-B	UGN-6	Die-Cast Wing Nut w/Washer	1-B	UGN-6	Die-Cast Wing Nut w/Washer
			1-C	SC-169	Clamp Bolt	1-C	SC-169	Clamp Bolt
			2	UGB-815	Die-Cast Wing Bolt	2	UGB-815	Die-Cast Wing Bolt
			3	R-22N	Rubber Tip (one each)	3	R-10	Rubber Tip (one each)

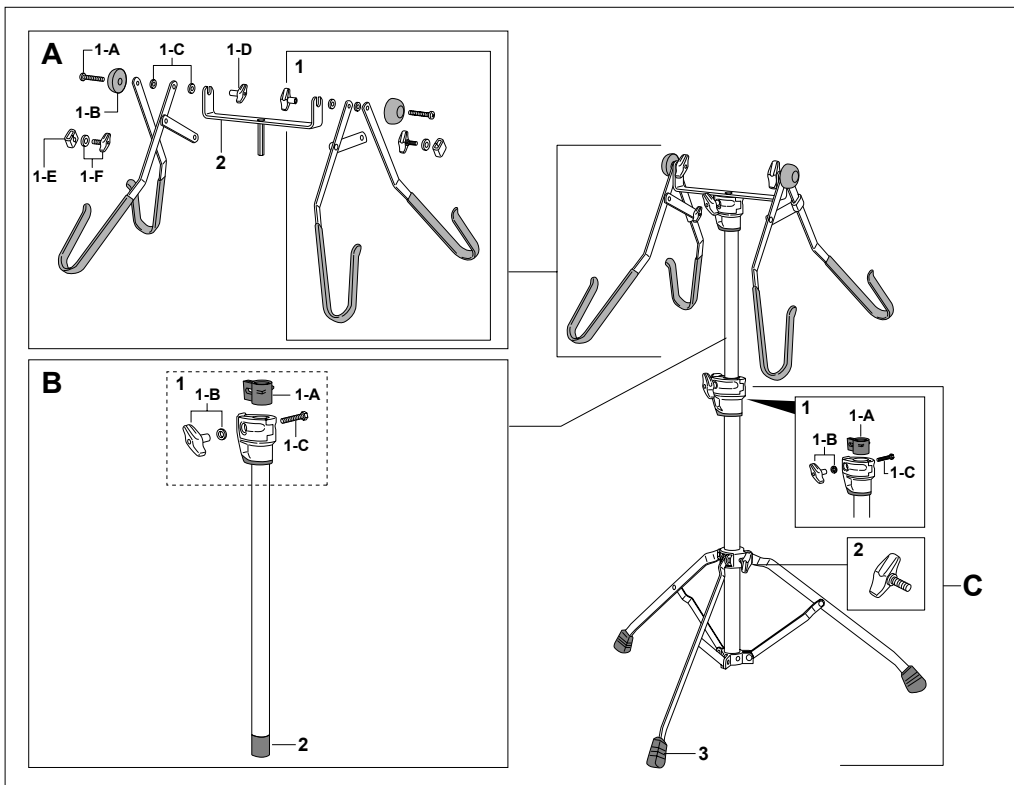
CONCERT CYMBAL STAND

C-1000SC



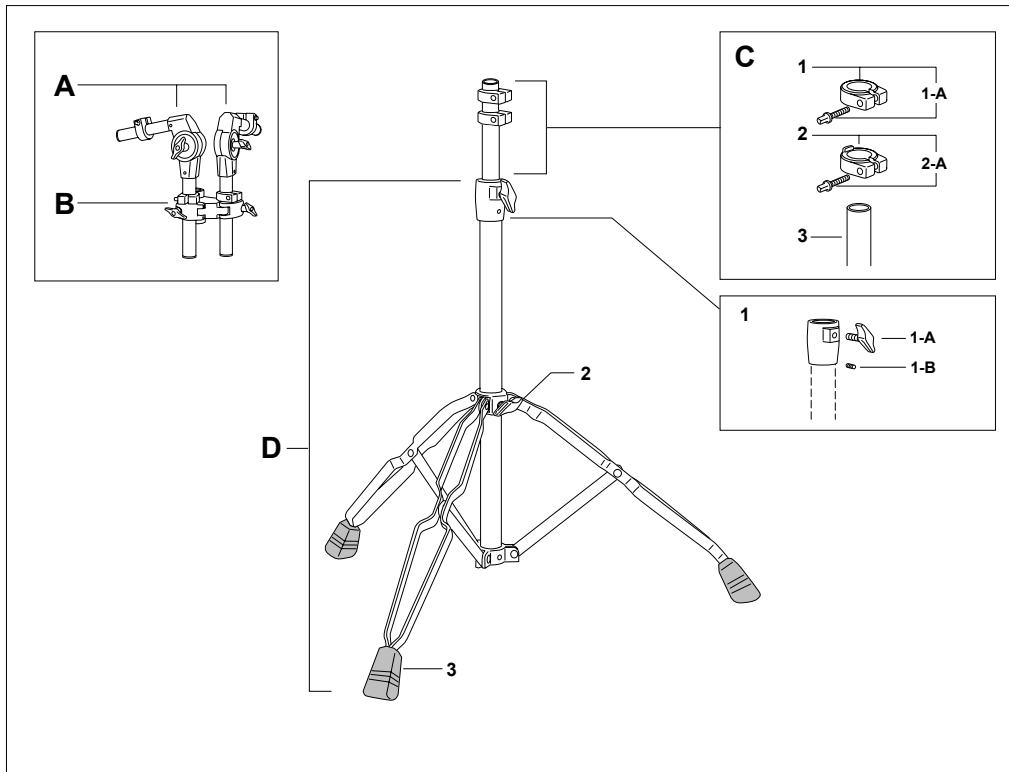
- A C-100SA Goose Neck Assy.**
B CP-100A Center Tube Assy. Complete
 1 DJ-500 Die-Cast Joint Assy. Complete
 1-A NP-367 Nylon Bushing
 1-B UGN-6 Die-Cast Wing Nut w/Washer
 1-C SC-169 Clamp Bolt
 2 NP-376 Plastic Tip
- C BA-100BS Base Assy. Complete**
 1 DJ-700 Die-Cast Joint Assy. Complete
 1-A NP-366 Nylon Bushing
 1-B UGN-6 Die-Cast Wing Nut w/Washer
 1-C SC-169 Clamp Bolt
 2 UGB-815 Die-Cast Wing Bolt
 3 R-10 Rubber Tip (one each)
- D NP-435 Cymbal Suspension Strap**

C-1000AC



- A C-100AA Cymbal Cradle Assy. Complete**
 1 C-100AC Cymbal Cradle ONLY
 1-A SC-68A Clamp Bolt
 1-B NP-431 Stabilizing Rubber Washer
 1-C WS-815A Washers (One Each)
 1-D UGN-6 Die-Cast Wing Nut
 1-E PR-645 Lock Nut
 1-F UGB-810 Die-Cast Wing Bolt w/Washer
 2 PR-643A Cymbal Cradle Mount
- B CP-100A Center Tube Assy. Complete**
 1 DJ-500 Die-Cast Joint Assy. Complete
 1-A NP-367 Nylon Bushing
 1-B UGN-6 Die-Cast Wing Nut w/Washer
 1-C SC-169 Clamp Bolt
 2 NP-376 Plastic Tip
- C BA-100BS Base Assy. Complete**
 1 DJ-700 Die-Cast Joint Assy. Complete
 1-A NP-366 Nylon Bushing
 1-B UGN-6 Die-Cast Wing Nut w/Washer
 1-C SC-169 Clamp Bolt
 2 UGB-815 Die-Cast Wing Bolt
 3 R-10 Rubber Tip (one each)

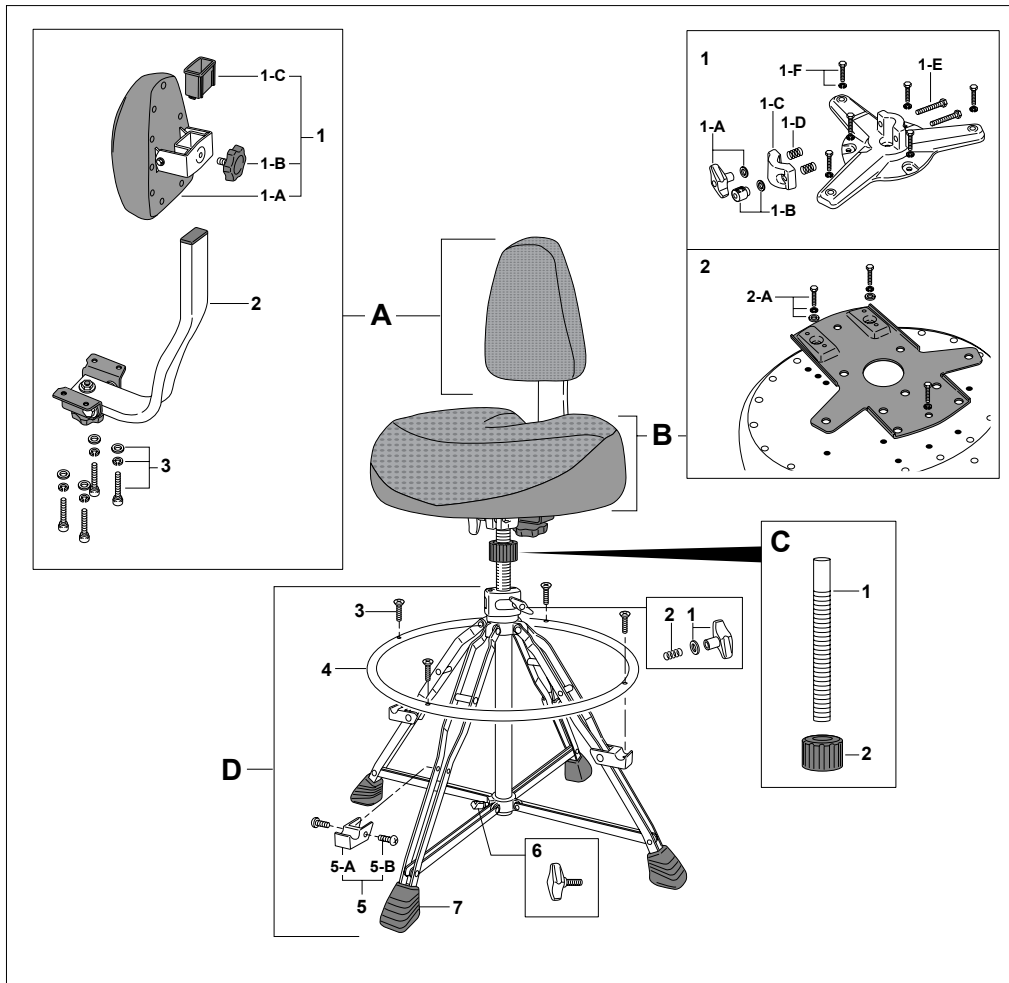
T-800W



- | | | |
|----------|-----------------|------------------------------------|
| A | TH-88S | Tom Holder/Short (one each) |
| B | AX-38 | Adapter |
| C | T-80A | Upper Tube Assy. Complete |
| 1 | SX-2NS | Upper Stop Lock, Complete |
| 1-A | KB-630 | Key Bolt |
| 2 | SX-2N | Lower Stop Lock, Complete |
| 2-A | KB-630 | Key Bolt |
| 3 | TU-98T | Upper Tube ONLY |
| D | BA-800BW | Base Assy. Complete |
| 1 | DJ-75A | Die-Cast Joint Assy. Complete |
| 1-A | UGB-815 | Die-Cast Wing Bolt |
| 1-B | SB-44 | Allen Screw |
| 2 | UGB-815 | Die-Cast Wing Bolt |
| 3 | R-22 | Rubber Tip (one each) |

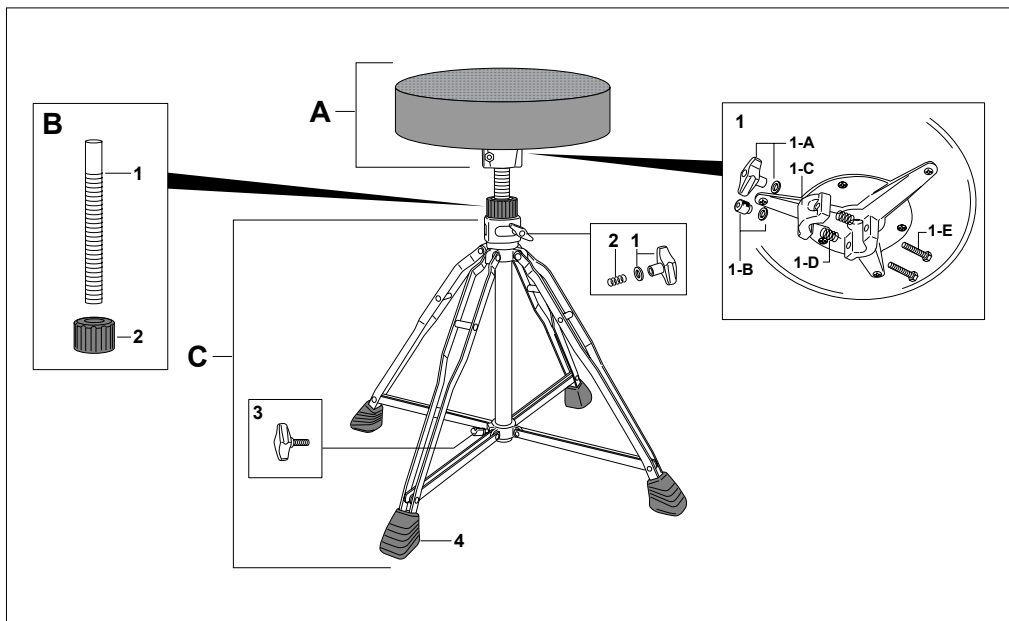
THRONES

D-2000TC



- A BR-2000A Back Rest Only**
- 1 NP-423BB Back Rest Cushion Assy. Complete
 - 1-A NP-423BA Back Rest Cushion ONLY
 - 1-B NP-389 Knob Bolt
 - 1-C NP-393 Plastic Sleeve
 - 2 PP-201A Back Rest Post Assy.
 - 3 SC-119A Bolt, Washer and Lock Washer (one set)
- B SE-200A Seat Top ONLY**
- 1 DC-644A Rod Bracket Assy. Complete
 - 1-A UGN-8 Die-Cast Wing Nut w/Washer
 - 1-B M-8RN Knurled Round Nut w/Washer
 - 1-C DC-645 Die-Cast Clamp
 - 1-D SP-45 Spring (one each)
 - 1-E SC-121 Clamp Bolt (one each)
 - 1-F SC-379A Hex Head Bolt w/Washer (one set)
 - 2 PR-651A Back Rest Attachment Plate Complete
 - 2-A SC-379B Bolt, Washer and Lock Washer (one set)
- C ME-571A Height Adjustment Post Complete**
- 1 ME-571 Threaded Post ONLY
 - 2 ME-583 Lock Nut
- D D-200TA Base Assy. Complete**
- 1 UGN-8 Die-Cast Wing Nut w/Washer
 - 2 SP-26 Spring
 - 3 SC-178 Screw (one each)
 - 4 PP-180 Leg Rest Ring ONLY
 - 5 DC-455NA Ring Mounting Bracket Assembly
 - 5-A DC-455N Bracket ONLY
 - 5-B SC-72 Screw (one each)
 - 6 UGB-815 Die-Cast Wing Bolt
 - 7 R-26N Rubber Tip (one each)

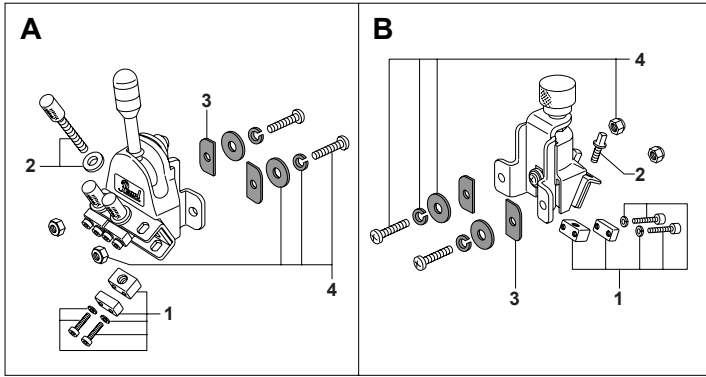
D-1000TC



- A SE-100TA SEAT TOP ONLY**
- 1 DC-486NA Rod Bracket Assy. Complete
 - 1-A UGN-8 Die-Cast Wing Nut w/Washer
 - 1-B M-8RN Knurled Round Nut w/Washer
 - 1-C DC-645 Die-Cast Clamp
 - 1-D SP-45 Spring (one each)
 - 1-E SC-121 Clamp Bolt (one each)
- B ME-571A Height Adjustment Post, Complete**
- 1 ME-571 Threaded Post ONLY
 - 2 ME-583 Lock Nut
- C D-100TA Base Assy. Complete**
- 1 UGN-8 Die-Cast Wing Nut w/Washer
 - 2 SP-26 Spring
 - 3 UGB-815 Die-Cast Wing Bolt
 - 4 R-26N Rubber Tip (one each)

STRAINERS

SR-500



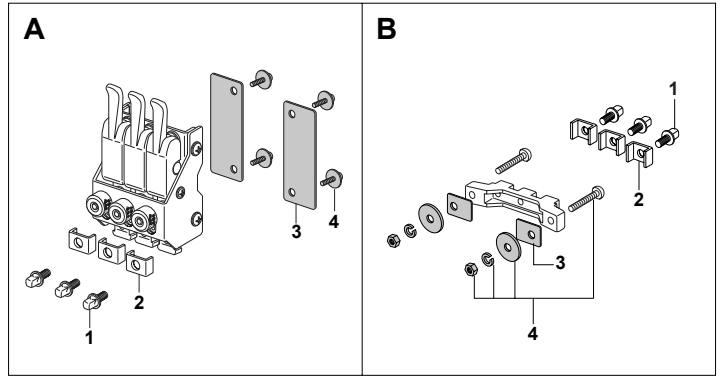
A SR-500A Release Side Assy. Complete

- 1 DC-534A Snare Cable Clamp Assy Complete
- 2 ME-524A Tension Screw w/Washer
- 3 GA-74 Gasket (one each)
- 4 SC-214A Screw w/Washers and Nut for for 5"+ over deep PHA Snare Drums (one set)
- SC-55LA Screw w/Washers and Nut for 5"+ over deep PHM Snare Drums, 4" deep PHA Snare Drums (one set)
- SC-222LA Screw w/Washers and Nut for 4" deep PHM Snare Drums (one set)

B SR-500E Butt Side Assy. Complete

- 1 DC-534A Snare Cable Clamp Assy Complete
- 2 KB-512 Tension Screw w/Washer
- 3 GA-74 Gasket (one each)
- 4 SC-214A Screw w/Washers and Nut for for 5"+ over deep PHA Snare Drums (one set)
- SC-55LA Screw w/Washers and Nut for 5"+ over deep PHM Snare Drums, 4" deep PHA Snare Drums (one set)
- SC-222LA Screw w/Washers and Nut for 4" deep PHM Snare Drums (one set)

SR-300



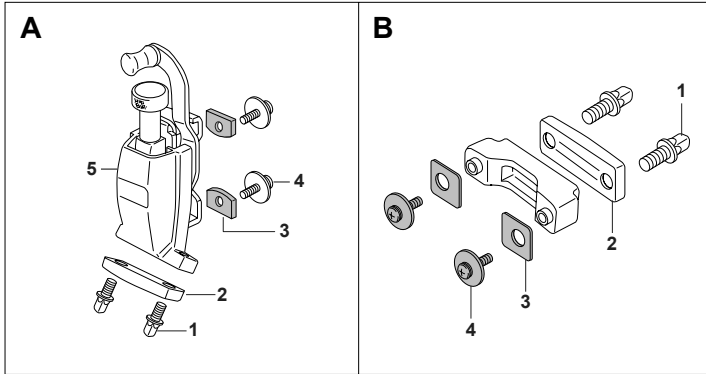
A SR-300A Release Side Assy. Complete

- 1 KB-508 Key Bolt (one each)
- 2 DC-463 Snare Mounting Plate (one each)
- 3 GA-53 Gasket (one each)
- 4 SM-414B Mounting Screw w/Washer (one set)

B SR-300E Release Side Assy. Complete

- 1 KB-508 Key Bolt (one each)
- 2 DC-463 Snare Mounting Plate (one each)
- 3 GA-52 Gasket (one each)
- 4 SM-508-AC Washer & Nut w/Mounting Screw (one set)

SR-017



A SR-17A Release Side Assy. Complete

- 1 KB-510 Key Bolt (one each)
- 2 SR-12D Tension Screw w/Washer
- 3 NP-249P Rubber Gasket (one each)
- 4 SM-513B Mounting Screw w/Washer for CRP Snare Drums (one set)
- SM-507 Mounting Screw w/Washer for CRB Snare Drums (one set)
- 5 DC-440 Strainer Cover

B SR-18E Butt Side Assy. Complete

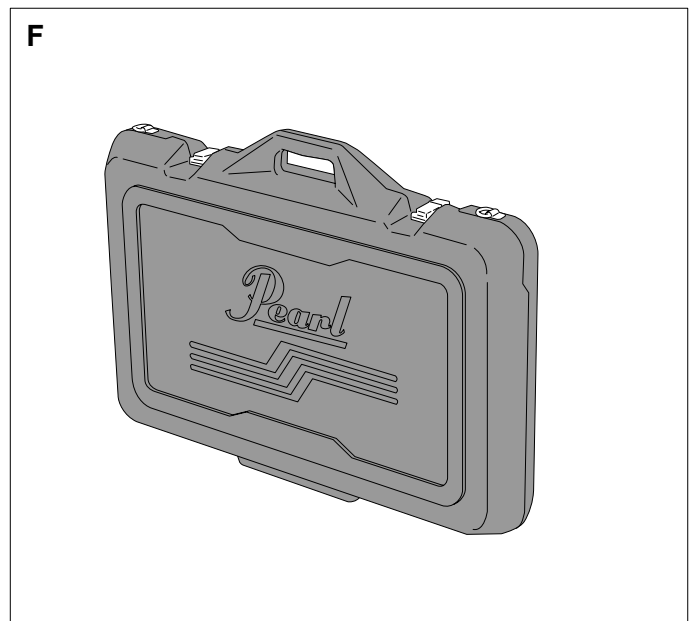
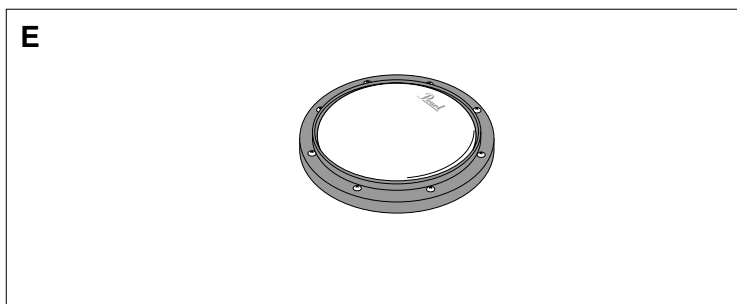
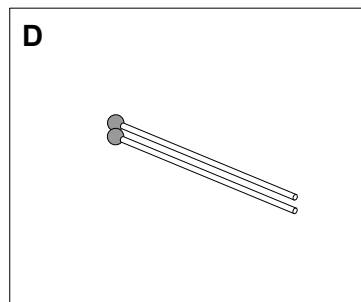
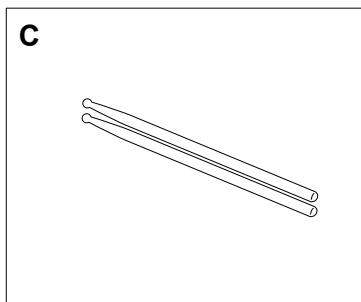
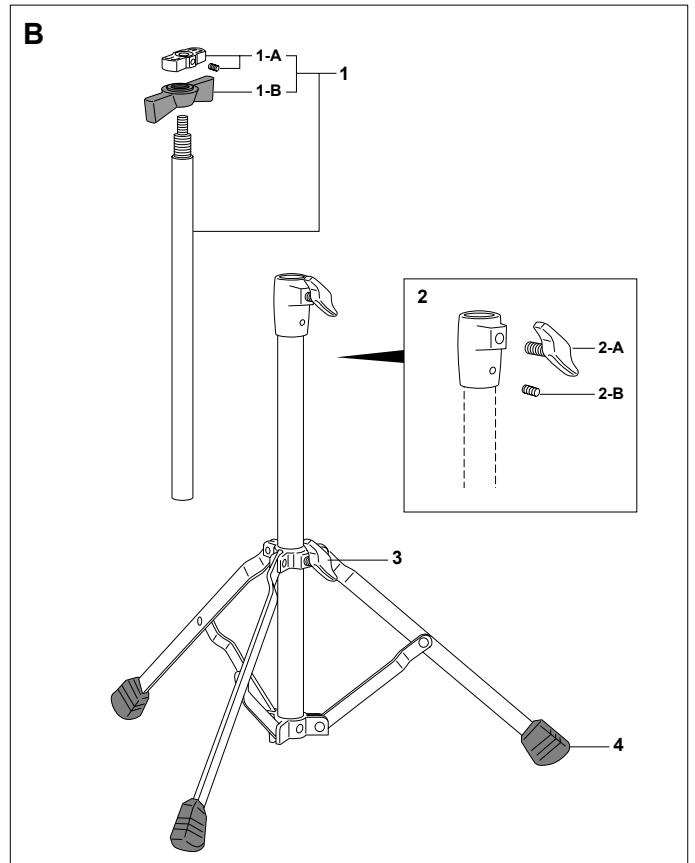
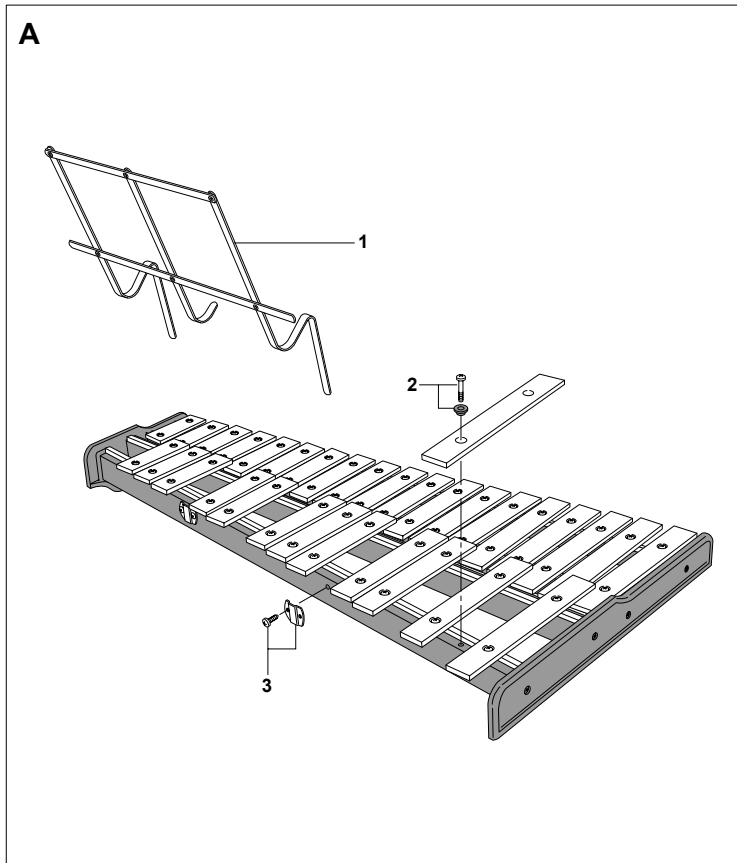
- 1 KB-510 Key Bolt (one each)
- 2 SR-12D Tension Screw w/Washer
- 3 NP-251P Rubber Gasket (one each)
- 4 SM-414B Mounting Screw w/Washer for CRP Snare Drums (one set)
- SM-411C Mounting Screw w/Washer for CRB Snare Drums (one set)

Snare Wires

Model#	Strands	Size	Material
SN-1320C	20	13"	Ultra-Sound Snare Wire, C-type, w/strap & cord
SN-1420C	20	14"	Ultra-Sound Snare Wire, C-type, w/strap & cord
SN-1442C	42	14"	Ultra-Sound Snare Wire, C-type, w/strap & cord
SN-1320D	20	13"	Ultra-Sound Snare Wire, D-type, w/strap & cord
SN-1420D	20	14"	Ultra-Sound Snare Wire, D-type, w/strap & cord
SN-1442D	42	14"	Ultra-Sound Snare Wire, D-type, w/strap & cord
SN-1320I	20	13"	Ultra-Sound Snare Wire, I-type, w/strap & cord
SN-1420I	20	14"	Ultra-Sound Snare Wire, I-type, w/strap & cord
SN-1442I	42	14"	Ultra-Sound Snare Wire, I-type, w/strap & cord
S-022	20	14"	High Carbon Steel, Straps
S-022N	20	14"	High Carbon Steel, Straps
S-025	20	14" (for SR-010)	High Carbon Steel
S-029N	20	13"	High Carbon Steel
S-030N	24	14"	High Carbon Steel
S-031N	20	12"	High Carbon Steel
S-032N	12	10"	High Carbon Steel
S-033N	12	12"	High Carbon Steel
S-040	15	14"	Steel, thinner gauge
S-041	15	14"	Bronze, thicker gauge

EDUCATIONAL KITS

PK-750



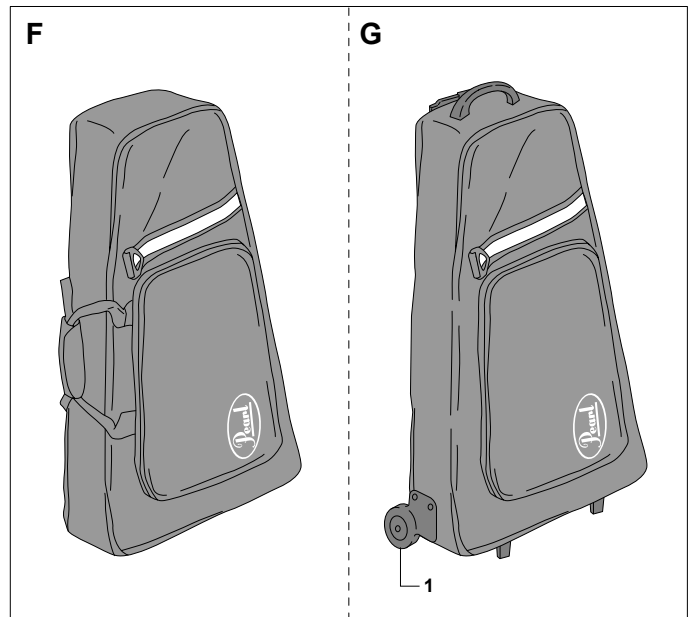
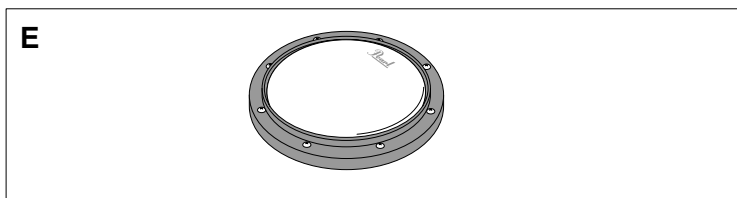
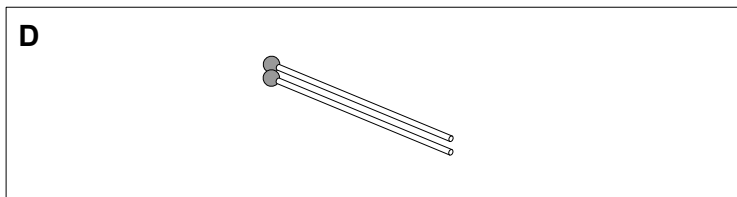
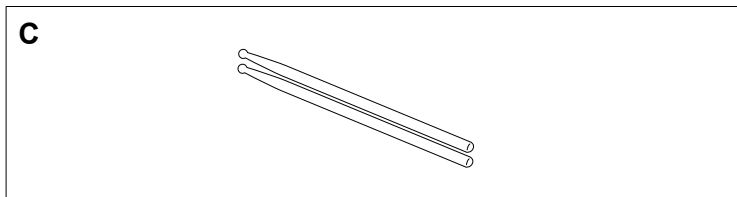
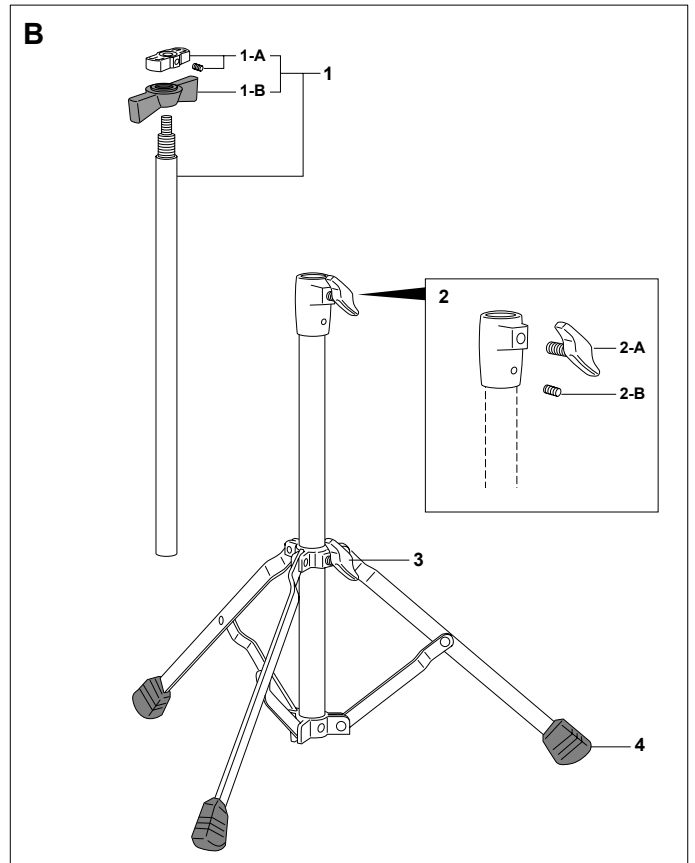
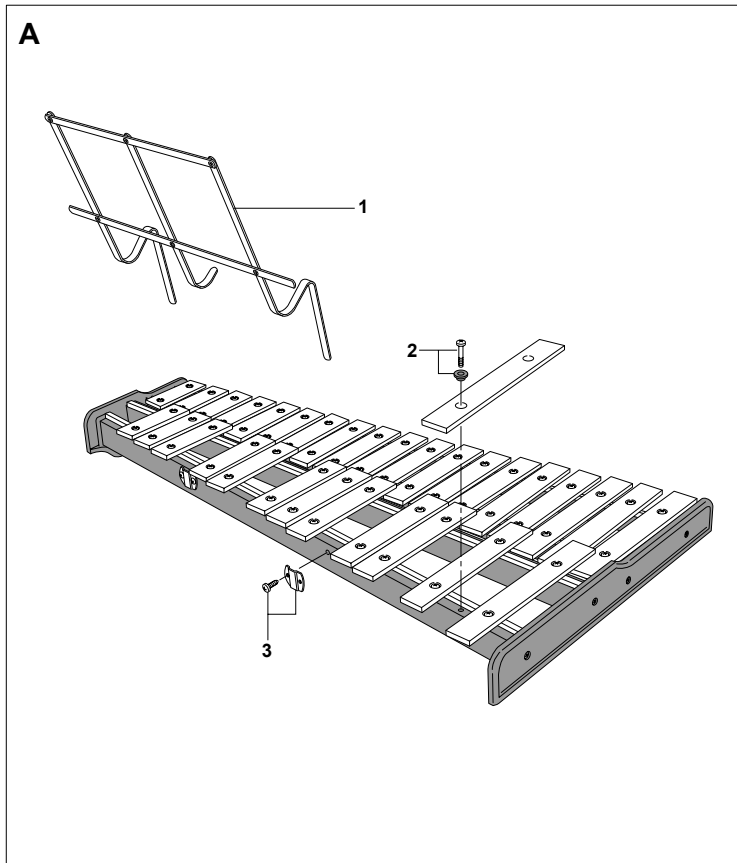
- A PKB-32 Bell Section Complete**
- A-1 PKB-2A Music Holder
- A-2 PKB-1B/12 Screw for Bell w/Rubber Cap (one set)
- A-3 PR-666 Clip for Music Holder w/Screws (one set)

- B PK-600ST Bell/Practice Pad Stand**
- 1 PK-60A Upper Tube Assy.
- 1-A KBH-1 Stop Nut w/Allen Screw
- 1-B NP-183 Plastic Butterfly Nut
- 2 DJ-55A Die Cast Joint
- 2-A UGB-815 Die Cast Wing Bolt
- 2-B SB-44 Allen Screw
- 3 UGB-815 Die Cast Wing Bolt
- 4 NP-12 Rubber Tip (one each)

- C SPK-5A Sticks (pair)**
- D PXB-5 Mallet (pair)**
- E PAD-8R 8" Tuneable Practice Pad**
- F PKC-75 PK-750 Injection Molded Case**

EDUCATIONAL KITS

PK-800 / 800C

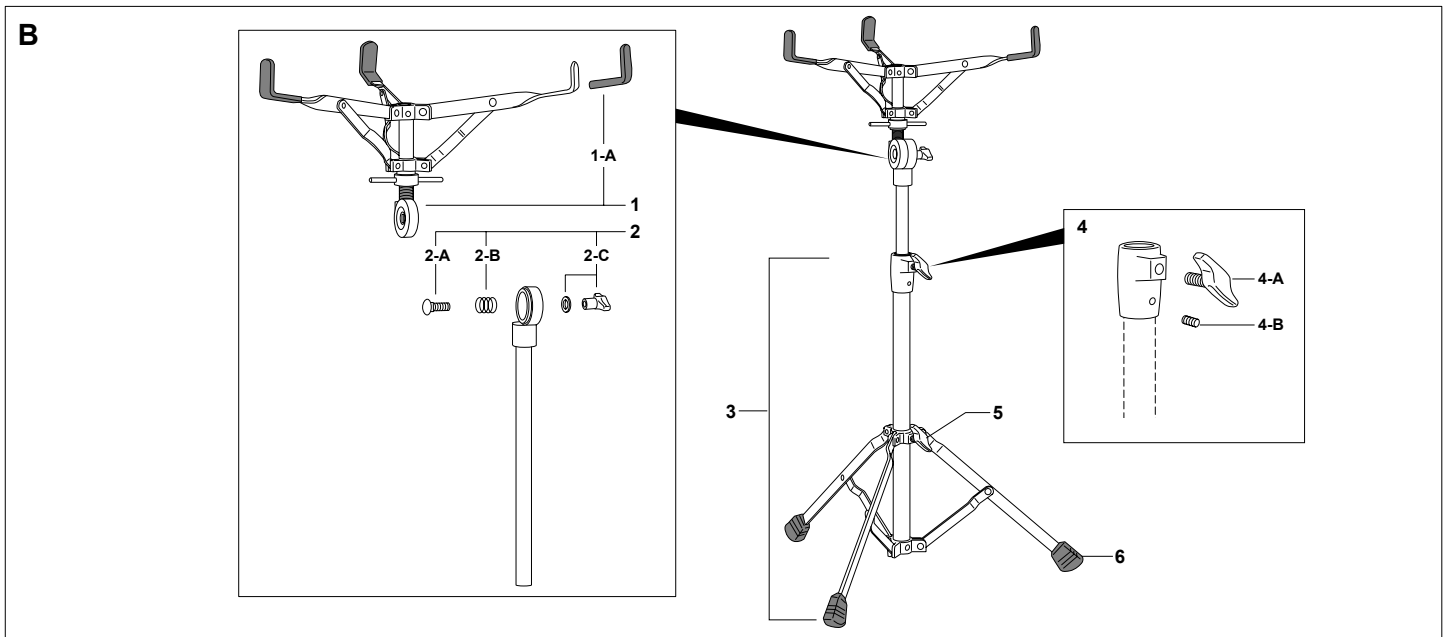
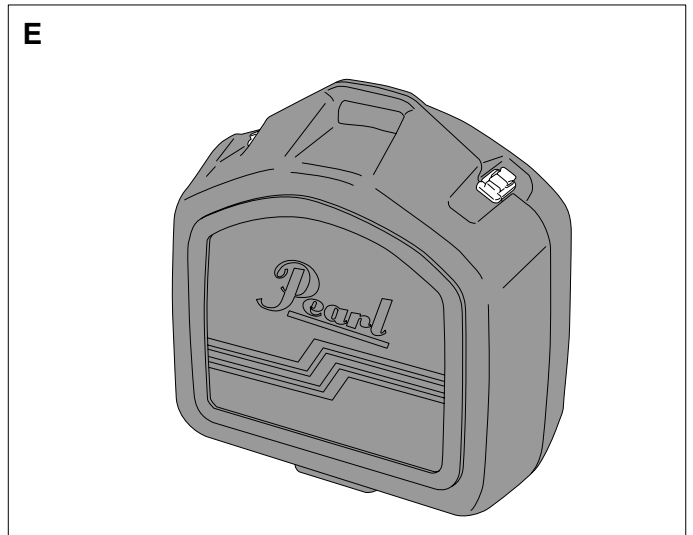
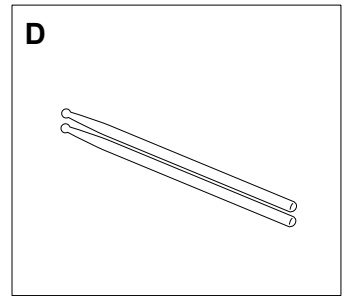
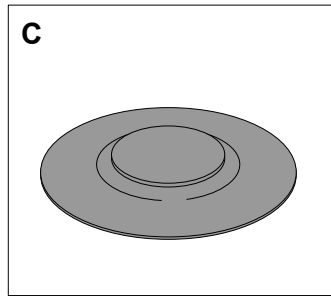
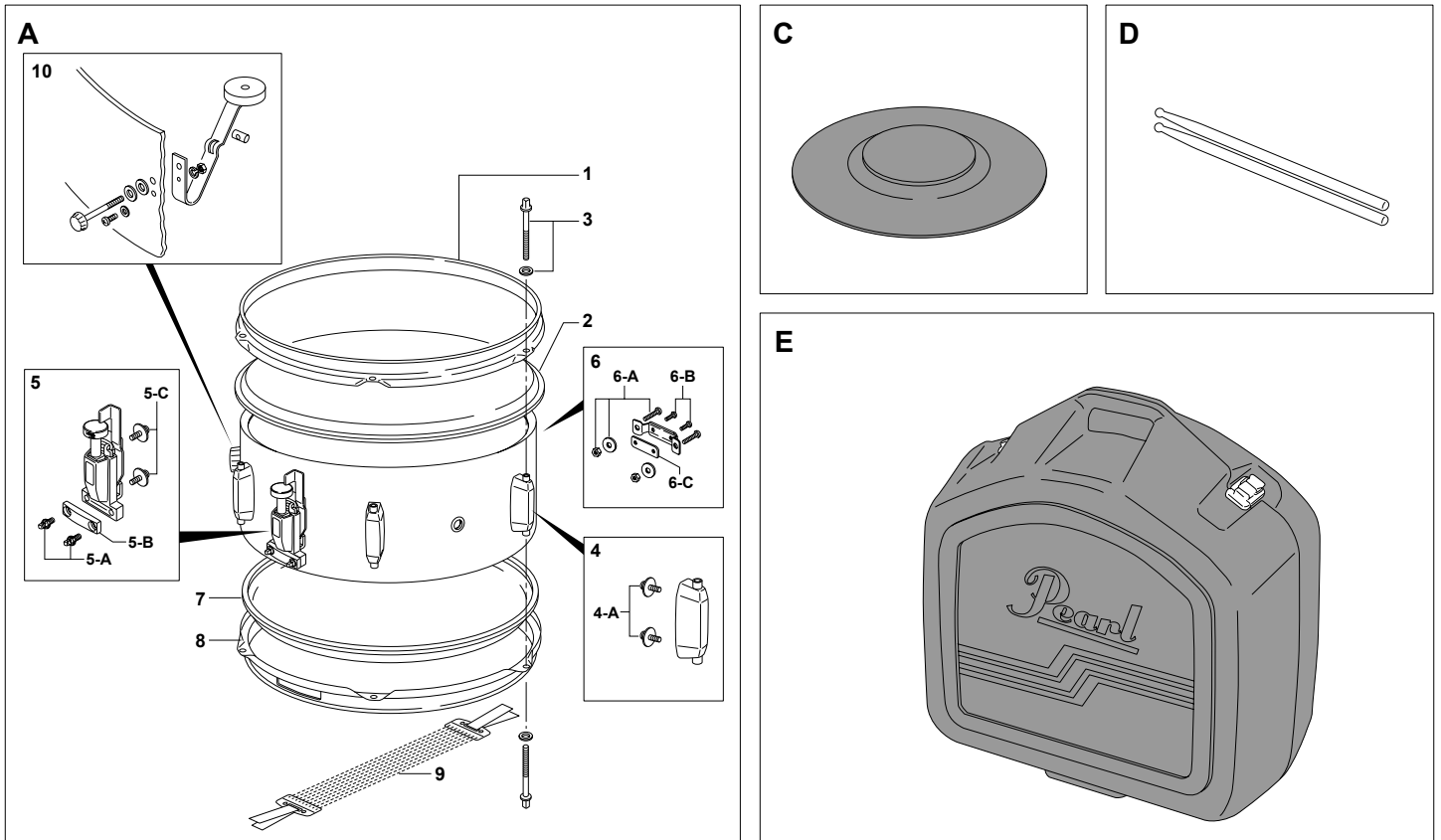


- A PKB-32 Bell Section Complete**
 1 PKB-2A Music Holder
 2 PKB-1B/12 Screw for Bell w/Rubber Cap (one set)
 3 PR-666 Clip for Music Holder w/Screws (one set)
- B PK-800ST Bell/Practice Pad Stand**
 1 PK-80A Upper Tube Assy.
 1-A KBH-1 Stop Nut w/Allen Screw
 1-B NP-183 Plastic Butterfly Nut
 2 DJ-55A Die Cast Joint
 2-A UGB-815 Die Cast Wing Bolt
 2-B SB-44 Allen Screw
 3 UGB-815 Die Cast Wing Bolt
 4 NP-12 Rubber Tip (one each)

- C SPK-5A Sticks (pair)**
D PXB-5 Mallet (pair)
E PAD-8R 8" Tuneable Practice Pad
F PKB-8 PKB-800 Carrying Bag
G PKBC-8 PKB-800C Carrying Bag w/Built in Cart
 1 PSK-WL Wheel Assy Complete

EDUCATIONAL KITS

SK-750



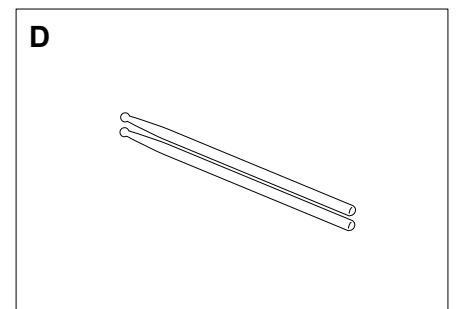
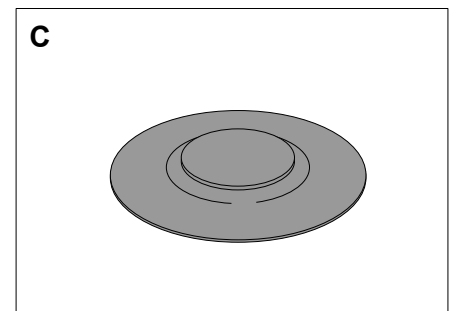
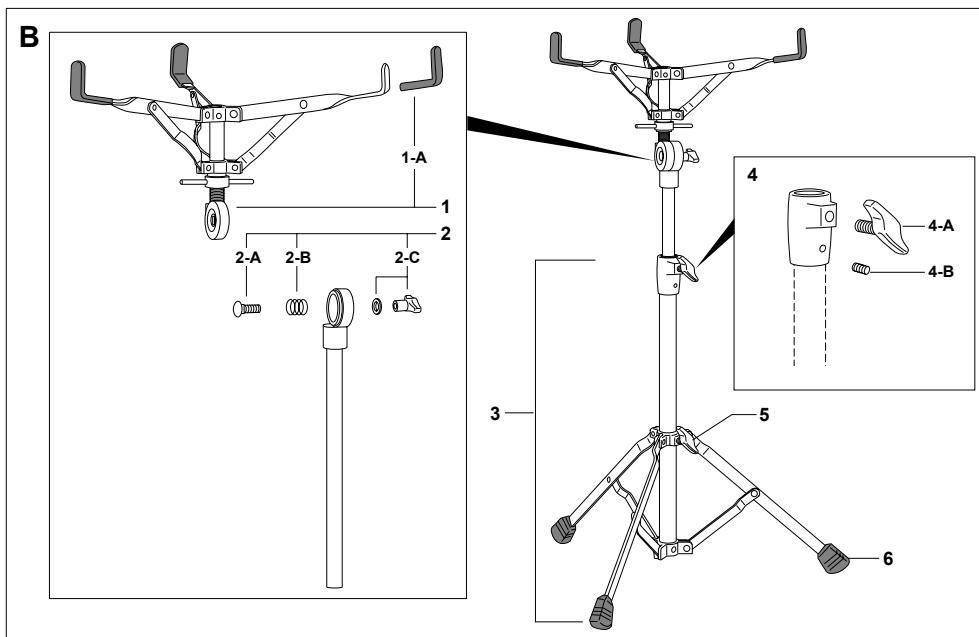
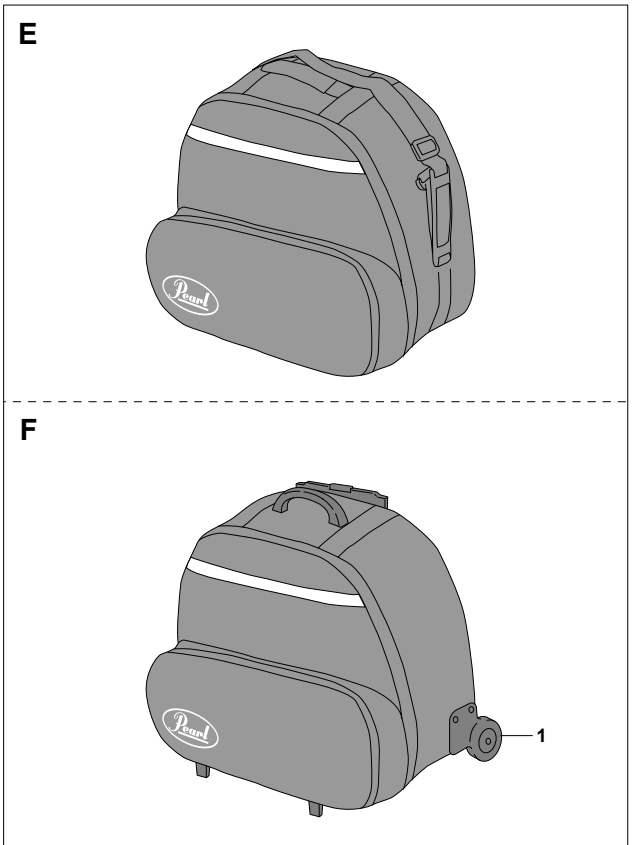
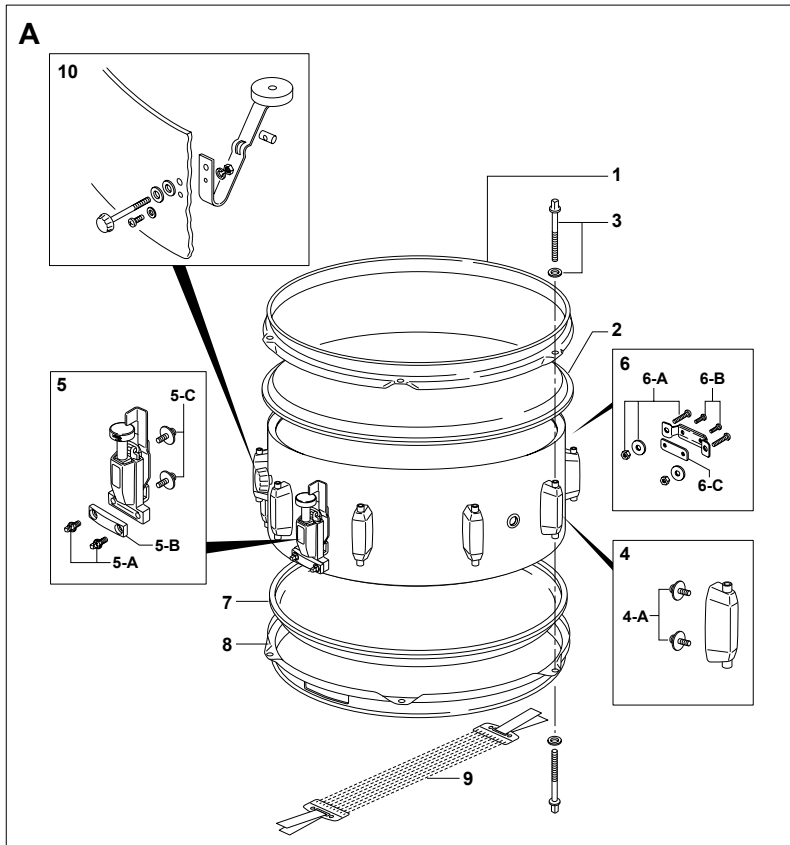
- A SK-614 14"x5.5" Steel Snare Drum**
- 1 RIM-1410B 14" Metal Hoop
 - 2 WA-14 14" Batter Side Head
 - 3 T-062 Tension Rod w/Washer (one each)
 - 4 RL-25 Lug w/Screws
 - 4-A SM-411C Screw w/Washer (one set)
 - 5 SR-14A Release Side Assy. Complete
 - 5-A KB-510 Key Bolt (one each)
 - 5-B SR-12D Snare Mounting Plate
 - 5-C SM-507 Mounting Screw w/Washer (one set)
 - 6 SR-14B Butt Side Assy. Complete
 - 6-A SC-49A Mounting Screw w/Washer & Nut (one set)
 - 6-B SC-78A Snare Mounting Screw (one each)
 - 6-C PR-05 Snare Mounting Plate
 - 7 ST-14 14" Snare Side Head
 - 8 RIM-1410S 14" Metal Hoop, Snare Side
 - 9 S-022 Snare Wire w/Straps (14")
 - 10 734 Inside Muffler Complete

- B S-70A Basket Complete**
- 1 S-70AA Basket Assy. w/Rubber Sleeves
 - 1-A S-75C Rubber Sleeve (one each)
 - 2 SN-70A Bolt & Nut Set w/Spring
 - 2-A SC-33 Clamp Bolt
 - 2-B SP-17 Spring
 - 2-C UGN-8 Die Cast Wing Nut w/Washer
 - 3 S-70BL Base Assy. Complete
 - 4 DJ-55A Die Cast Joint Complete
 - 4-A UGB-815 Die Cast Wing Bolt
 - 4-B SB-44 Allen Screw
 - 5 UGB-815 Die Cast Wing Bolt
 - 6 NP-12 Rubber Tip (one each)

- C RPG-14 14" Two Level Rubber Pad**
- D SPK-5A Sticks (pair)**
- E SKC-75 SK-750 Injection Molded Case**

EDUCATIONAL KITS

SK-800 / 800C



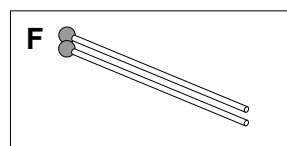
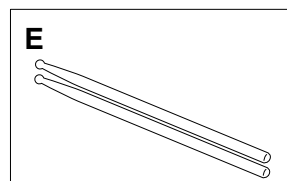
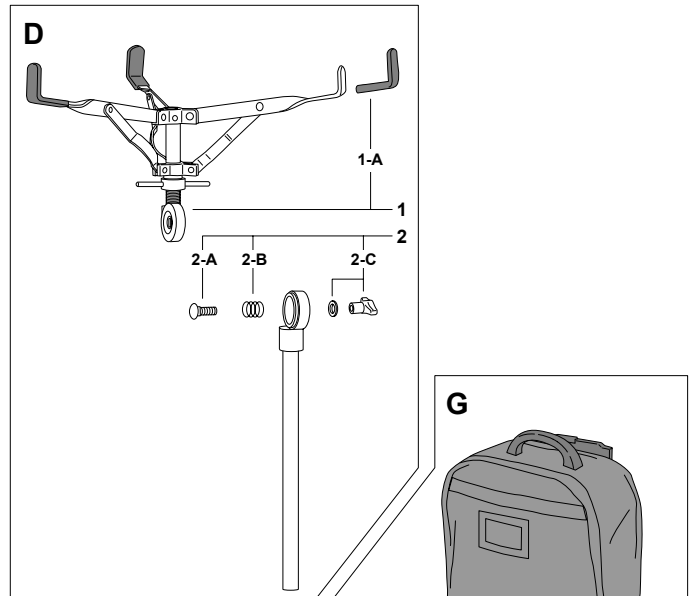
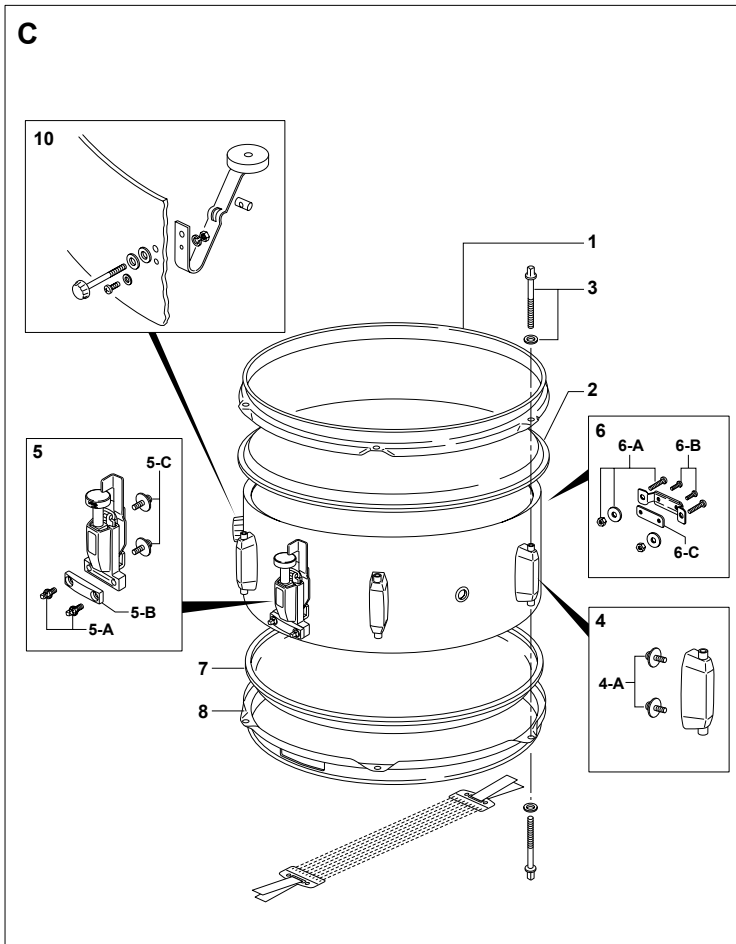
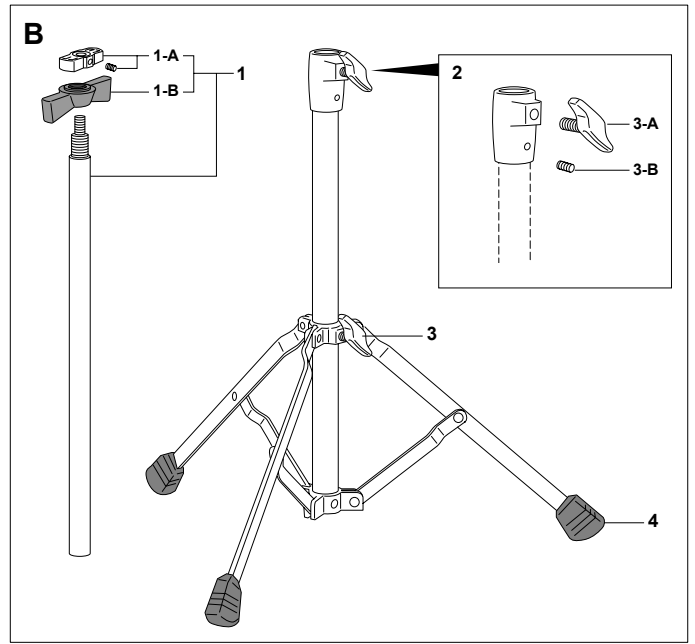
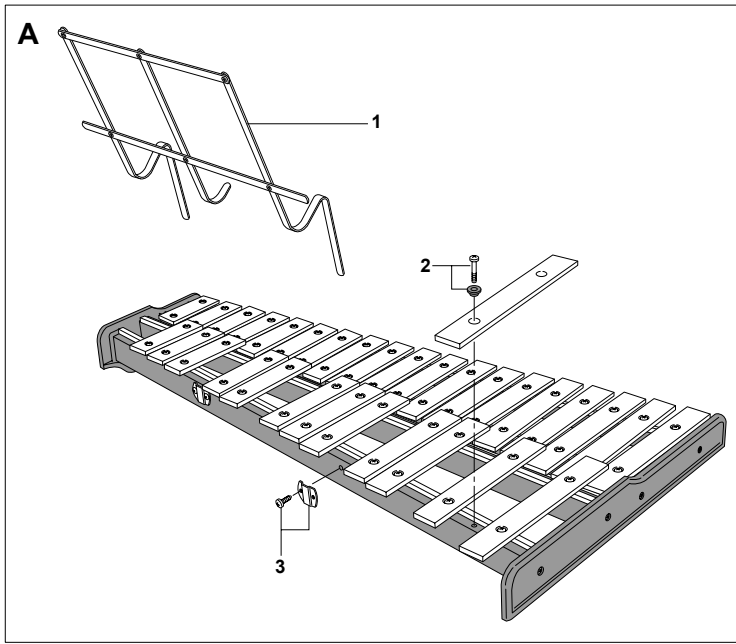
- A SK-614 14"x5.5" Steel Snare Drum**
- 1 RIM-1410B 14" Metal Hoop
 - 2 WA-14 14" Batter Side Head
 - 3 T-062 Tension Rod w/Washer (one each)
 - 4 RL-25 Lug w/Screws
 - 4-A SM-411C Screw w/Washer (one set)
 - 5 SR-14A Release Side Assy. Complete
 - 5-A KB-510 Key Bolt (one each)
 - 5-B SR-12D Snare Mounting Plate
 - 5-C SM-507 Mounting Screw w/Washer & Nut (one set)
 - 6 SR-14B Butt Side Assy. Complete
 - 6-A SC-49A Mounting Screw w/Washer
 - 6-B SC-78A Snare Mounting Screw (one each)
 - 6-C PR-05 Snare Mounting Plate
 - 7 ST-14 14" Snare Side Head
 - 8 RIM-1410S 14" Metal Hoop, Snare Side
 - 9 S-022 Snare Wire w/Straps (14")
 - 10 734 Inside Muffler Complete

- B S-70A Basket Complete**
- 1 S-70AA Basket Assy. w/Rubber Sleeves
 - 1-A S-75C Rubber Sleeve (one each)
 - 2 SN-70A Bolt & Nut Set w/Spring
 - 2-A SC-33 Clamp Bolt
 - 2-B SP-17 Spring
 - 2-C UGN-8 Die Cast Wing Nut w/Washer
 - 3 S-70BL Base Assy. Complete
 - 4 DJ-55A Die Cast Joint Complete
 - 4-A UGB-815 Die Cast Wing Bolt
 - 4-B SB-44 Allen Screw
 - 5 UGB-815 Die Cast Wing Bolt
 - 6 NP-12 Rubber Tip (one each)

- C RPG-14 14" Two Level Rubber Pad**
- D SPK-5A Sticks (pair)**
- E SKB-8 SK-800 Carrying Bag**
- F SKBC-8 SK-800C Carrying Bag w/Built in Cart**
- 1 PSK-WL Wheel Assy Complete**

EDUCATIONAL KITS

PL-800C



- | | | |
|---|--|--|
| A PKB-32 Bell Section Complete | 2 WA-13 13" Batter Side Head | D S-70A Basket Complete |
| 1 PKB-2A Music Holder | 3 T-062 Tension Rod w/Washer (one each) | 1 S-70AA Basket Assy. w/Rubber Sleeves |
| 2 PKB-1B/12 Screw for Bell w/Rubber Cap (one set) | 4 RL-25 Lug w/Screws | 1 S-75C Rubber Sleeve (one each) |
| 3 PR-666 Clip for Music Holder w/Screws (one set) | 4-A SM-411C Screw w/Washer (one set) | 2 SN-70A Bolt & Nut Set w/Spring |
| B PK-800ST Bell/Practice Pad Stand | 5 SR-14A Release Side Assy. Complete | 2-A SC-33 Clamp Bolt |
| 1 PK-80A Upper Tube Assy. | 5-A KB-510 Key Bolt (one each) | 2-B SP-17 Spring |
| 1-A KBH-1 Stop Nut w/Allen Screw | 5-B SR-12D Snare Mounting Plate | 2-C UGN-8 Die Cast Wing Nut w/Washer |
| 1-B NP-183 Plastic Butterfly Nut | 5-C SM-507 Mounting Screw w/Washer (one set) | E SPK-5A Sticks (pair) |
| 2 DJ-55A Die Cast Joint | 6 SR-14B Butt Side Assy. Complete | F PXB-5 Mallet (pair) |
| 2-A UGB-815 Die Cast Wing Bolt | 6-A SC-49A Mounting Screw w/Washer & Nut (one set) | G PLBC-8 PL-800C Carrying Bag w/Built in Cart |
| 2-B SB-44 Allen Screw | 6-B SC-78A Snare Mounting Screw (one each) | 1 PSK-WL Wheel Assy Complete |
| 3 UGB-815 Die Cast Wing Bolt | 6-C PR-05 Snare Mounting Plate | |
| 4 NP-12 Rubber Tip (one each) | 7 ST-13 13" Snare Side Head | |
| C SK-613 13"x5" Steel Snare Drum | 8 RIM-1306S 13" Metal Hoop, Snare Side | |
| 1 RIM-1306 13" Metal Hoop | 9 S-029N Snare Wire w/Straps (13") | |
| | 10 734 Inside Muffler Complete | |

